

## CLASSIC

CLBT05

Classic 72" x 37" x 22" Oval Bathtub with Center Drain



SHOWN IN CLASSIC 72" X 37" X 22" OVAL BATHTUB WITH CENTER DRAIN | CLBT05

### TECHNICAL DETAILS

ADA Compliance: No  
 Assembly Configuration: One Piece  
 Bathing Type: Bathing, Soaking and Showering  
 Depth/Width: 37"  
 Drilling Option: None  
 Height: 22"  
 Installation Type: Drop In or Undermount  
 Item Weight Filled: 759.0 pounds  
 Length: 72"  
 Number Of Holes: Two Hole  
 Overflow Opening: Yes  
 Primary Material: Acrylic  
 Single Or Double Ended: Double Ended  
 Suggested Application: Bath

### INSPIRATION

Our Classic collection encompasses core elements for every bath. This collection is perfect for all design aesthetics.

### CODES & STANDARDS

cUL Model Number: 7237; CSA B45.5/IAPMO Z124

### PRODUCT FEATURES

Constructed of high density acrylic which is the highest industry standard

The high density acrylic acts as a reinforcement and provided an overall thicker bathtub construction

### CERTIFICATIONS



### PRODUCT (NOTES)

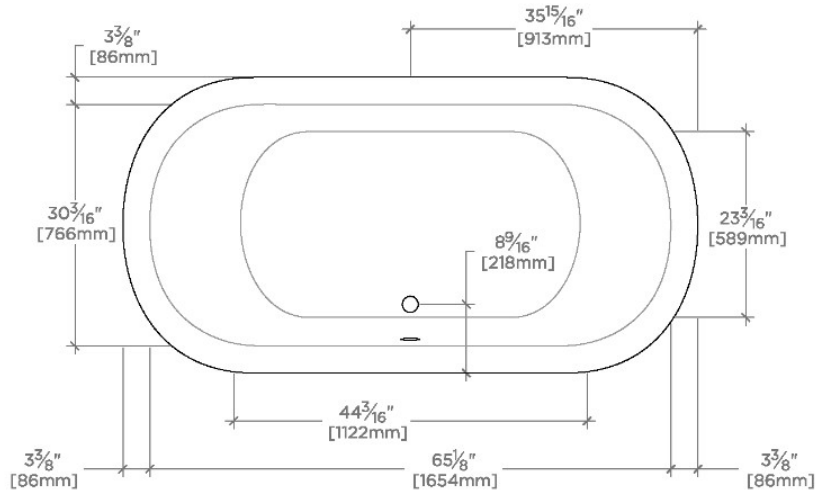
Dimensions of fixtures are nominal. Measure your actual product for rough-in details.

# WATERWORKS

## CLASSIC

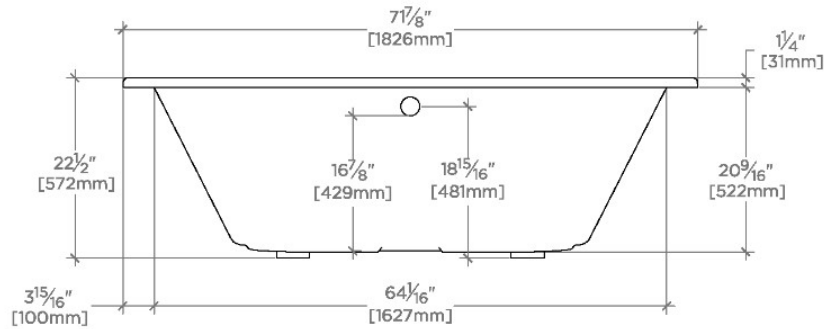
## CLBT05

Classic 72" x 37" x 22" Oval Bathtub with Center Drain



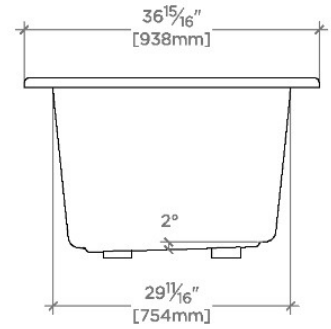
TOP VIEW

SCALE: 1/2"=1'-0"



SIDE VIEW

SCALE: 1/2"=1'-0"



END VIEW

SCALE: 1/2"=1'-0"