

RIVERUN

RR40XT

Riverun Deck Mounted Exposed Tub Filler with Handshower and Two-Tone Tri-Spoke Handles



SHOWN IN RIVERUN DECK MOUNTED EXPOSED TUB FILLER WITH HANDSHOWER AND TWO-TONE TRI-SPOKE HANDLES | RR40XT

TECHNICAL DETAILS

ADA Compliance: No
 Adjustable Versus Fixed Spray: Fixed
 Deck Thickness Maximum: 1 1/8"
 Diameter Of Legs Tubes: 1 1/8"
 Fittings Hole Diameter: 1 1/4"
 Handle Spread Maximum: 7 5/8"
 Handle Spread Minimum: 7 5/8"
 Handle Turn Angle: Quarter Turn
 Handshower Spray Hose Length: 59"
 Inlet Connection Size: 3/4"
 Inlet Connection Type: Male BSPP
 Inlet Supply Spread Maximum: 7 5/8"
 Inlet Supply Spread Minimum: 7 5/8"
 Integrated Diverter: Y
 Integrated Spray: N
 Number Of Holes: Two Hole
 Pivot: N
 Primary Material: Brass
 Restricted Maximum Flow Rate: 1.75 gpm
 Spout Swivel: N
 Spray Included In Unit: Y
 Valve Material: Ceramic
 Water Pressure Maximum: 85.0 psi
 Water Pressure Minimum: 20.0 psi
 Water Pressure Recommended: 45.0 psi

INSPIRATION

A new American classic designed with simplicity in mind, Riverun epitomizes quiet elegance through streamlined forms and honest details. These nuanced designs project distinctly American sophistication while effortlessly adapting to any design story.

CODES & STANDARDS

PRODUCT FEATURES

Features All Metal Tri-Spoke Handle.

Diverter handle allows bather to move water from spout to handshower.

The Handshower offers a fixed spray pattern

Stocked in Nickel/Matte Black and Brass/Matte Black

Unrestricted flow for tub spout. Handshower available in 1.75gpm (6.6L/min) flow rate

CERTIFICATIONS

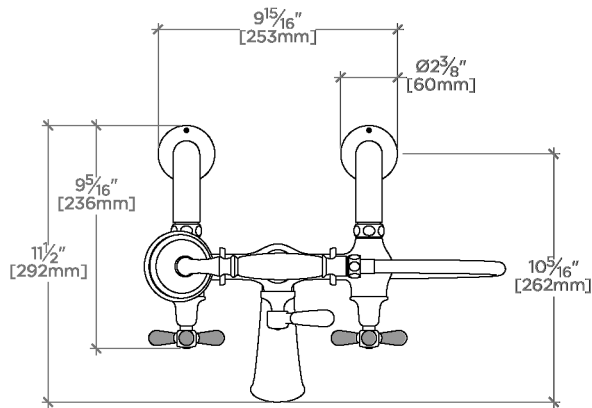
PRODUCT (NOTES)

WATERWORKS

RIVERUN

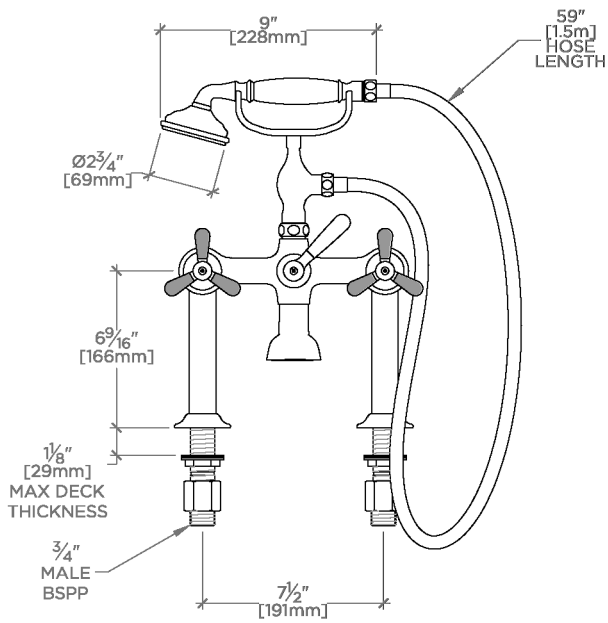
RR40XT

Riverun Deck Mounted Exposed Tub Filler with Handshower and Two-Tone Tri-Spoke Handles



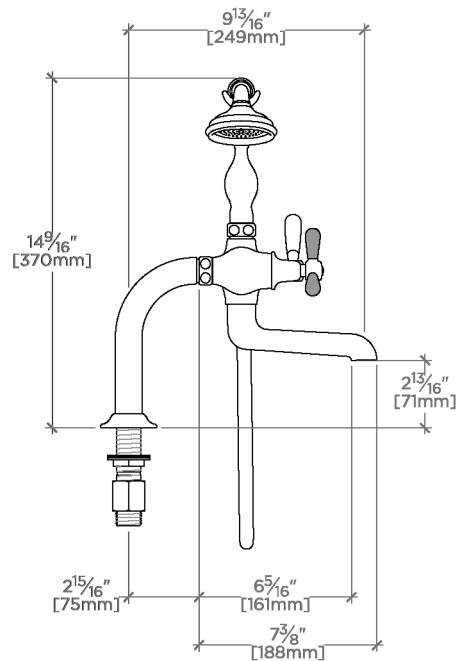
TOP VIEW

SCALE: 1/2"=1'-0"



FRONT VIEW

SCALE: 1/2"=1'-0"



SIDE VIEW

SCALE: 1/2"=1'-0"