

## Etoile

ETS165

Etoile 6" Showerhead with 8" Wall Mounted 45 Degree Shower Arm



SHOWN IN ETOILE 6" SHOWERHEAD WITH 8" WALL MOUNTED 45 DEGREE SHOWER ARM | ETS165

### TECHNICAL DETAILS

Adjustable Versus Fixed Spray: Fixed  
Fittings Hole Diameter: 32 mm  
Flow Restriction Options: 1.5, 1.75, 2.0  
Inlet Connection Size: 1/2"  
Inlet Connection Type: Male NPT  
Pivot: Y  
Primary Material: Brass  
Restricted Maximum Flow Rate: 6.6 liters/min  
Water Pressure Maximum: 6.0 bar  
Water Pressure Minimum: 1.5 bar  
Water Pressure Recommended: 3.0 bar

### INSPIRATION

Defined elegance. Etoile has a European sophistication with a timeless sense of chic.

### CODES & STANDARDS

ETS165X, ASME A112.18.1/CSA B125.1, CEC(1.5GPM & 1.75GPM Only), WaterSense(1.5GPM, 1.75GPM & 2.0GPM Only), DOE, State of MA

### PRODUCT FEATURES

Made of Brass

Features a swivel 6" showerhead with easy clean rubber nozzles

Includes a 8" wall mounted 45 degree shower arm

Stocked in Brass, Chrome, Nickel and Matte Nickel

Showerhead available in 1.75gpm (6.6L/min) flow rate

### CERTIFICATIONS



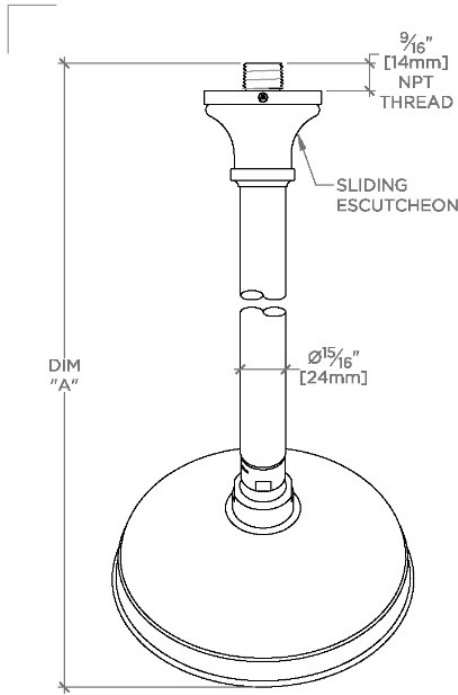
### PRODUCT (NOTES)

# WATERWORKS

## Etoile

ETS165

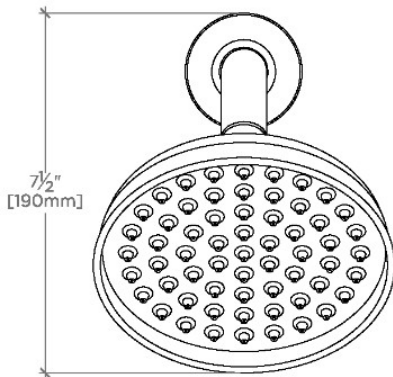
Etoile 6" Showerhead with 8" Wall Mounted 45 Degree Shower Arm



TOP VIEW

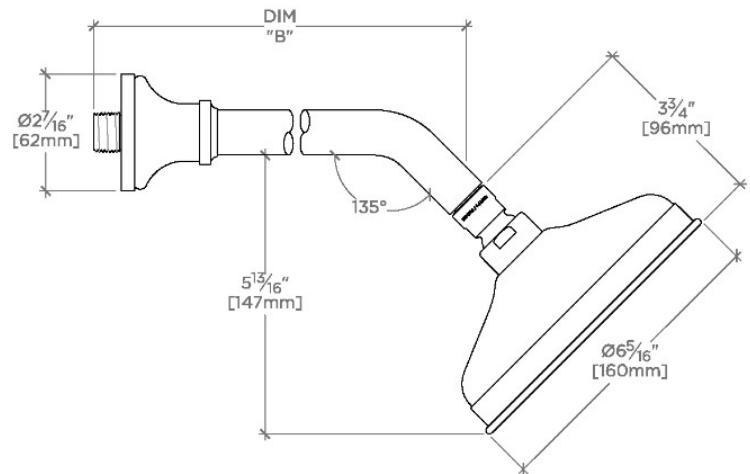
SCALE: 3"=1'-0"

STYLE NO.	DIM "A"	DIM "B"
ETS165		
FRS165	13 <sup>1</sup> / <sub>8</sub> " [334mm]	8 <sup>3</sup> / <sub>4</sub> " [209mm]
JUS165		
ETS166		
FRS166	15 <sup>1</sup> / <sub>8</sub> " [384mm]	10 <sup>1</sup> / <sub>4</sub> " [260mm]
JUS166		



FRONT VIEW

SCALE: 3"=1'-0"



SIDE VIEW

SCALE: 3"=1'-0"