

BOND

BXT27S

Bond Rally Series Deck Mounted Exposed Tub Filler with Handshower and Lever Handles



SHOWN IN BOND RALLY SERIES DECK MOUNTED EXPOSED TUB FILLER WITH HANDSHOWER AND LEVER HANDLES | BXT27S

TECHNICAL DETAILS

ADA Compliance: No
 Deck Thickness Maximum: 2"
 Deck Thickness Minimum: 1/4"
 Diameter Of Legs Tubes: 1 1/4"
 Fittings Hole Diameter: 1 3/8"
 Handle Spread Maximum: 8"
 Handle Spread Minimum: 8"
 Handle Turn Angle: Quarter Turn
 Handshower Spray Hose Length: 59"
 Inlet Connection Size: 3/4"
 Inlet Connection Type: Male NPT
 Inlet Supply Spread Maximum: 12 1/2"
 Inlet Supply Spread Minimum: 12 1/2"
 Integrated Diverter: Y
 Number Of Holes: Two Hole
 Primary Material: Brass
 Spout Swivel: N
 Spray Included In Unit: Y
 Valve Material: Ceramic
 Water Pressure Maximum: 85.0 psi
 Water Pressure Minimum: 20.0 psi
 Water Pressure Recommended: 45.0 psi

INSPIRATION

Modern designs infused with rare soul and artistry. Explore our wide range of Bond bath and kitchen elements, from fittings to fixtures to hardware.

CODES & STANDARDS

ASME A112.18.1/CSA B125.1, CEC, State of MA

PRODUCT FEATURES

Lever Handles

Diverter knob allows bather to move water from spout to handshower. Handshower features 2-1/8" head with rubber nozzles.

Features a Sport Black Finish, smooth and velvety to the touch

Stocked in Chrome/Sport Black

Unrestricted flow for tub spout. Handshower available in 1.75gpm (6.6L/min) flow rate

CERTIFICATIONS



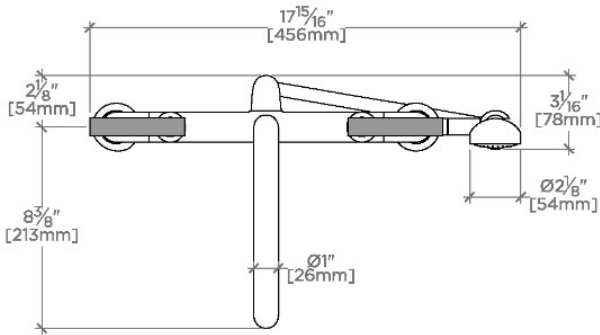
PRODUCT (NOTES)

WATERWORKS

BOND

BXT27S

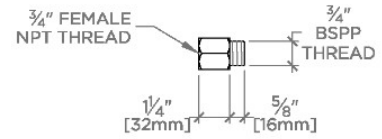
Bond Rally Series Deck Mounted Exposed Tub Filler with Handshower and Lever Handles



TOP VIEW

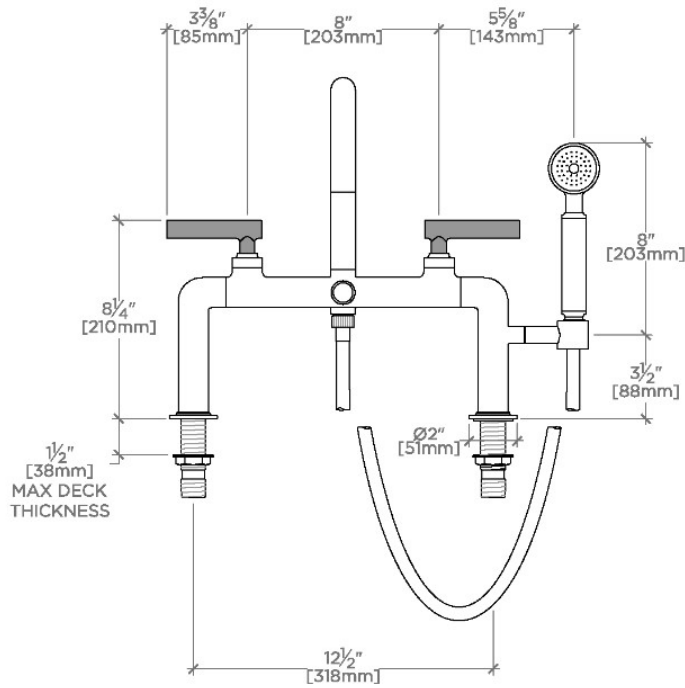
SCALE: 1¹/₂"=1'-0"

† 2 ADAPTERS SUPPLIED
INTERNATIONAL USE ONLY



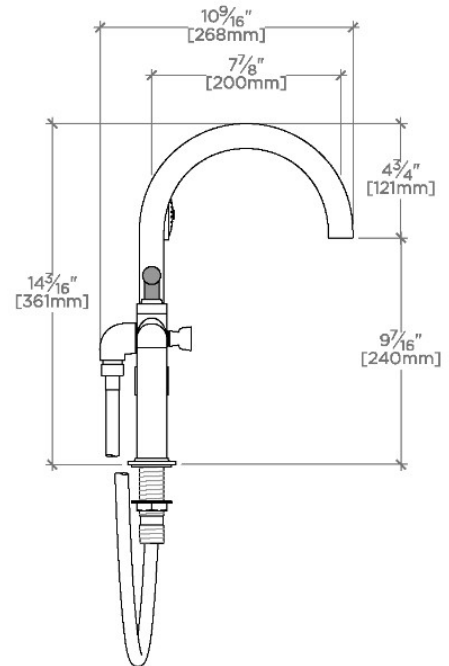
BSPP ADAPTER †

NOT TO SCALE



FRONT VIEW

SCALE: 1¹/₂"=1'-0"



SIDE VIEW

SCALE: 1¹/₂"=1'-0"