

## Easton

EALS70

Easton Vintage Low Profile Three Hole Wall Mounted Lavatory Faucet with Elongated Spout and Oak Lever Handles



SHOWN IN EASTON VINTAGE LOW PROFILE THREE HOLE WALL MOUNTED LAVATORY FAUCET WITH ELONGATED SPOUT AND OAK LEVER HANDLES | EALS70

### TECHNICAL DETAILS

ADA Compliance: Yes  
 Depth/Width: 165 mm  
 Drain Assembly Materials: Brass  
 Drain Depth Maximum: 70 mm  
 Drain Depth Minimum: 25 mm  
 Drain Hole Diameter: 44 mm  
 Fittings Hole Diameter: 35 mm  
 Flow Restriction Options: 1.2  
 Handle Spread Maximum: 203 mm  
 Handle Spread Minimum: 211 mm  
 Handle Turn Angle: Quarter Turn  
 Height: 76 mm  
 Index Color Finish And Material: White Porcelain  
 Inlet Connection Size: 1/2"  
 Inlet Connection Type: Male NPT  
 Installation Type: Wall Mounted  
 Length: 381 mm  
 Primary Material: Brass  
 Restricted Maximum Flow Rate: 4.5 liters/min  
 Spout Swivel: N  
 Suggested Application: Bath  
 Valve Material: Ceramic  
 Water Pressure Maximum: 6.0 bar  
 Water Pressure Minimum: 1.5 bar  
 Water Pressure Recommended: 3.0 bar

### INSPIRATION

Drawing on Edwardian style, Easton is the most extensive Waterworks family; a range of moods and a selection of products from fittings to furniture.

### CODES & STANDARDS

EALS70X, NSF/ANSI/CAN 61:Q < 1, NSF/ANSI/CAN 372, ASME A112.18.1/CSA B125.1, CEC, DOE, State of MA

### PRODUCT FEATURES

Available in 1.2gpm (4.5L/min) flow rate

### CERTIFICATIONS



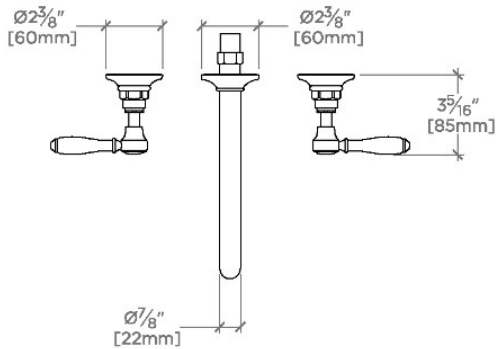
### PRODUCT (NOTES)

Sold with European style drain; USA style drain sold separately for use with non-Waterworks sinks.

## Easton

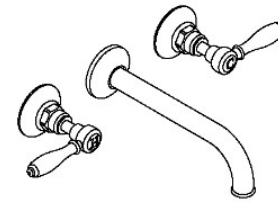
EALS70

Easton Vintage Low Profile Three Hole Wall Mounted Lavatory Faucet with Elongated Spout and Oak Lever Handles



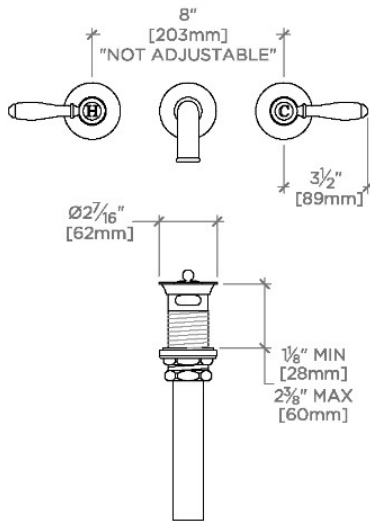
TOP VIEW

SCALE: 1/2"=1'-0"



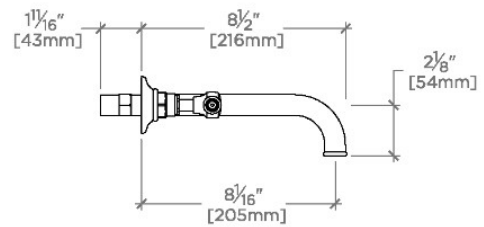
ISO VIEW

SCALE: 1/2"=1'-0"



FRONT VIEW

SCALE: 1/2"=1'-0"



SIDE VIEW

SCALE: 1/2"=1'-0"

