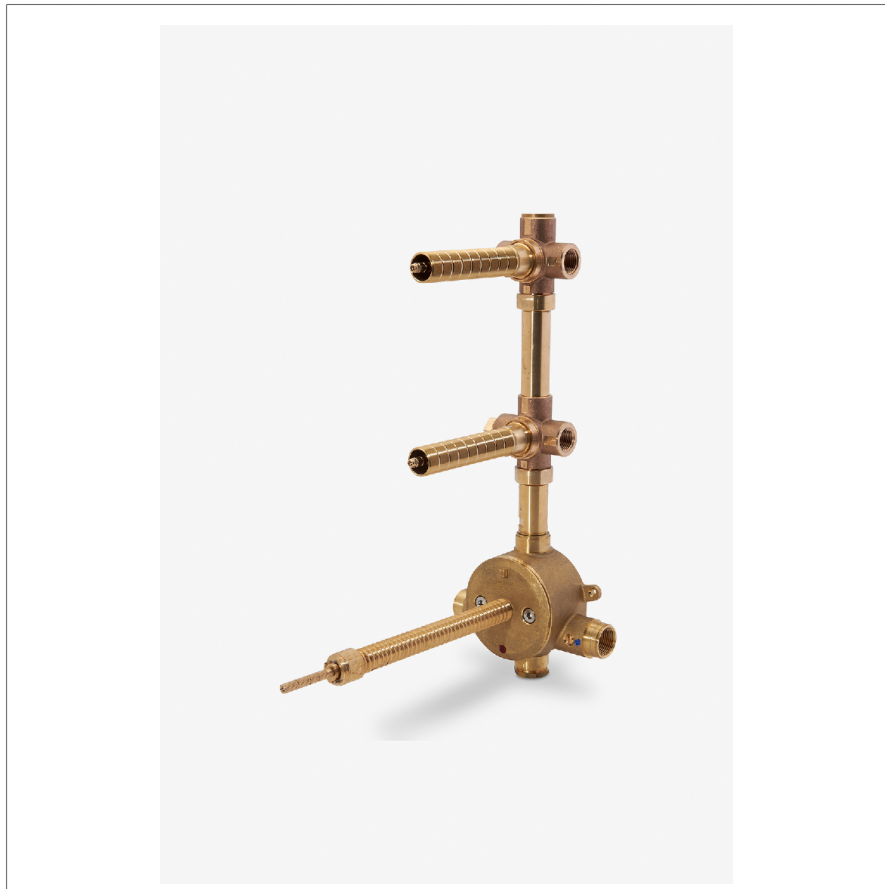


VIAWORKS

GUTH74

ViaWorks 3/4" Thermostatic Valve with Integrated Bypass
Dual Volume Controls



SHOWN IN VIAWORKS 3/4" THERMOSTATIC VALVE WITH INTEGRATED BYPASS DUAL VOLUME CONTROLS | GUTH74

TECHNICAL DETAILS

Inlet Connection Size: 3/4"
Inlet Connection Type: Female NPT
Outlet Connection Size: 1/2"
Outlet Connection Type: Female NPT
Primary Material: Brass
Valve Material: Bi-metal Strip/Ceramic
Water Pressure Maximum: 85.0 psi
Water Pressure Minimum: 20.0 psi
Water Pressure Recommended: 45.0 psi

INSPIRATION

The ViaWorks collection encompasses all Waterworks valves, which are just as impeccably engineered as our legendary fittings and the finest the industry has to offer in terms of performance, features and functionality. ViaWorks valves are engineered with more than three generations of bath and kitchen expertise, each with installers and lifelong service in mind.

CODES & STANDARDS

State of MA

PRODUCT FEATURES

Integrated anti-scald protection.

3/4" inlet and outlet connections. Integrated check valves guarantee there is no crossover of hot or cold water.

16 gpm (gallons per minute) unrestricted maximum flow at 60 psi

Flows water to up to six shower components simultaneously. Unique flush plate to clear construction debris before thermostatic cartridge is installed.

Made in Europe of Brass Construction

CERTIFICATIONS

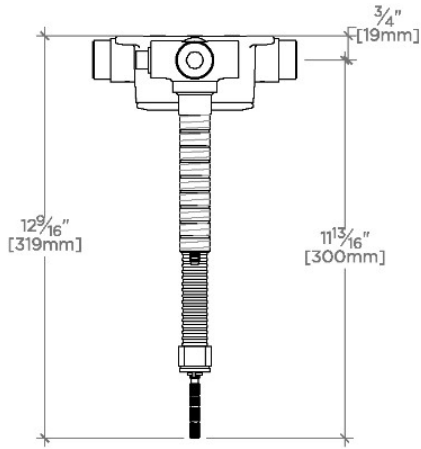
PRODUCT (NOTES)

WATERWORKS

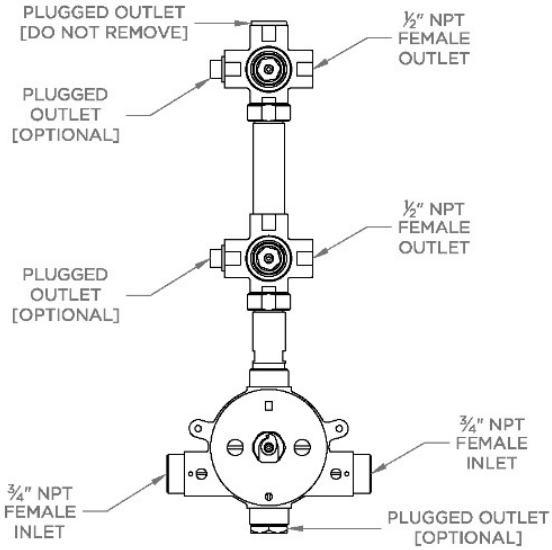
VIAWORKS

GUTH74

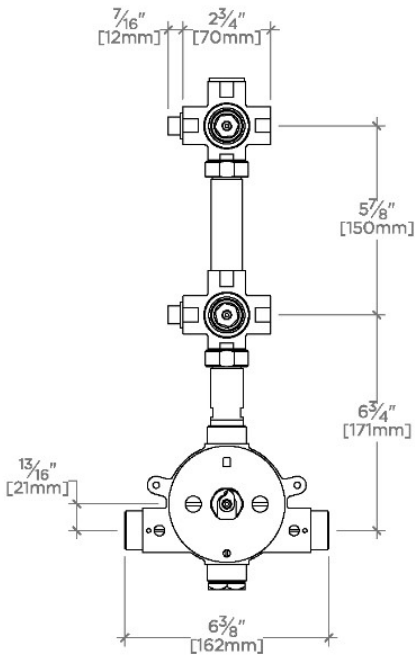
ViaWorks 3/4" Thermostatic Valve with Integrated Bypass
Dual Volume Controls



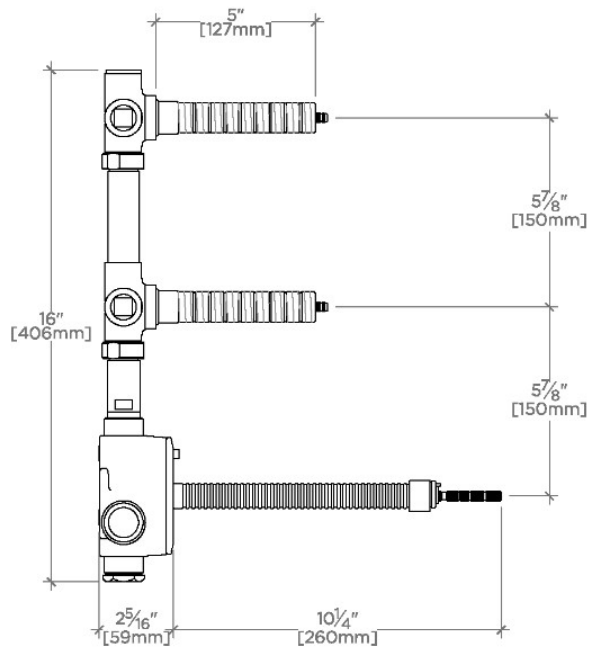
TOP VIEW SCALE: 2"=1'-0"



VALVE INLET/OUTLET SPECIFICATIONS



FRONT VIEW SCALE: 2"=1'-0"



SIDE VIEW SCALE: 2"=1'-0"