

## FLYTE

## FL70LS

Flyte Wall Mounted Low Profile Lavatory Faucet with Metal Lever Handles and Valve



SHOWN IN FLYTE LOW PROFILE THREE HOLE WALL MOUNTED LAVATORY FAUCET WITH METAL LEVER HANDLES AND

### TECHNICAL DETAILS

ADA Compliance: Yes  
 Control Valve Rough-in Depth Maximum: 146 mm  
 Control Valve Rough-in Depth Minimum: 73 mm  
 Drain Assembly Materials: Brass  
 Drain Depth Maximum: 51 mm  
 Drain Hole Diameter: 41 mm  
 Drain Style: Euro Push Touch  
 Escutcheon Primary Material: Brass  
 Fittings Hole Diameter: 35 mm  
 Flow Restriction Options: 1.0 , 1.2 , 1.5 , 1.75, 2.2  
 Handle Spread Maximum: 203 mm  
 Handle Spread Minimum: 203 mm  
 Handle Turn Angle: Quarter Turn  
 Drain Depth Minimum: 6 mm  
 Height: 73 mm  
 Inlet Connection Size: 1/2"  
 Inlet Connection Type: Female BSPP  
 Inlet Supply Spread Maximum: 203 mm  
 Inlet Supply Spread Minimum: 203 mm  
 Length: 364 mm  
 Number of Holes: Three Hole  
 Primary Material: Brass  
 Restricted Maximum Flow Rate: 4.5 liters/min  
 Valve Material: Brass, Ceramic  
 Water Pressure Maximum: 5.5 bar  
 Water Pressure Minimum: 1.5 bar  
 Water Pressure Recommended: 3.0 bar

### INSPIRATION

Pure Modernism. Like minimalist works of art, the elegant proportions of these light, fluid elements bring sculptural reference to a room.

### PRODUCT FEATURES

Push touch Euro style drain included.

This item is stocked in a Chrome and Nickel finishes.

Lever Handle

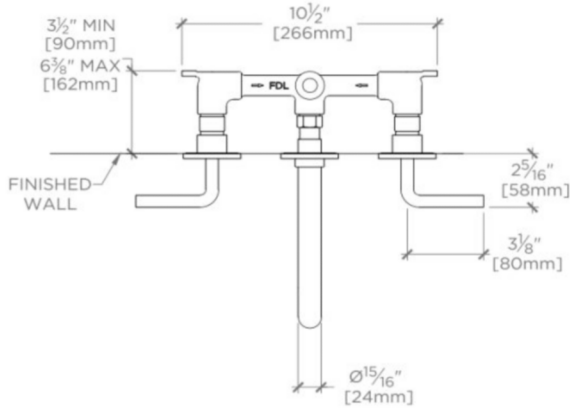
Standard flow rate is 1.2gpm (4.5 L/min) and meets State of California requirements. Also available in other flow options. Contact a sales associate for details.

# WATERWORKS

## FLYTE

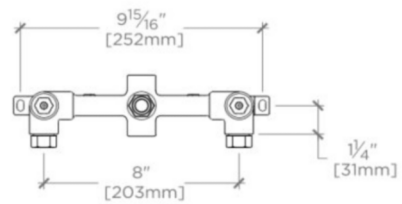
## FL70LS

Flyte Wall Mounted Low Profile Lavatory Faucet with Metal Lever Handles and Valve



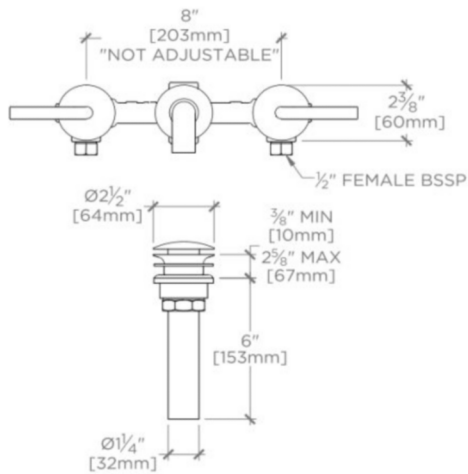
TOP VIEW

SCALE: 1/2"=1'-0"



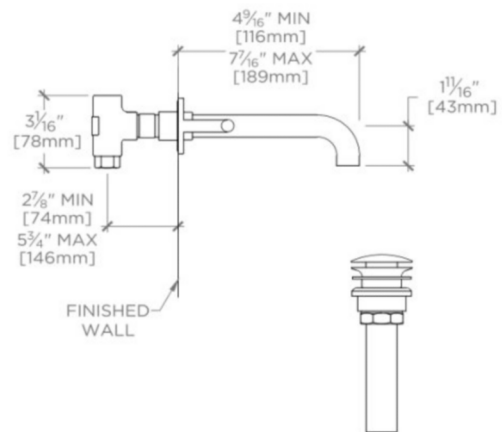
VALVE FRONT VIEW

SCALE: 1/2"=1'-0"



FRONT VIEW

SCALE: 1/2"=1'-0"



SIDE VIEW

SCALE: 1/2"=1'-0"