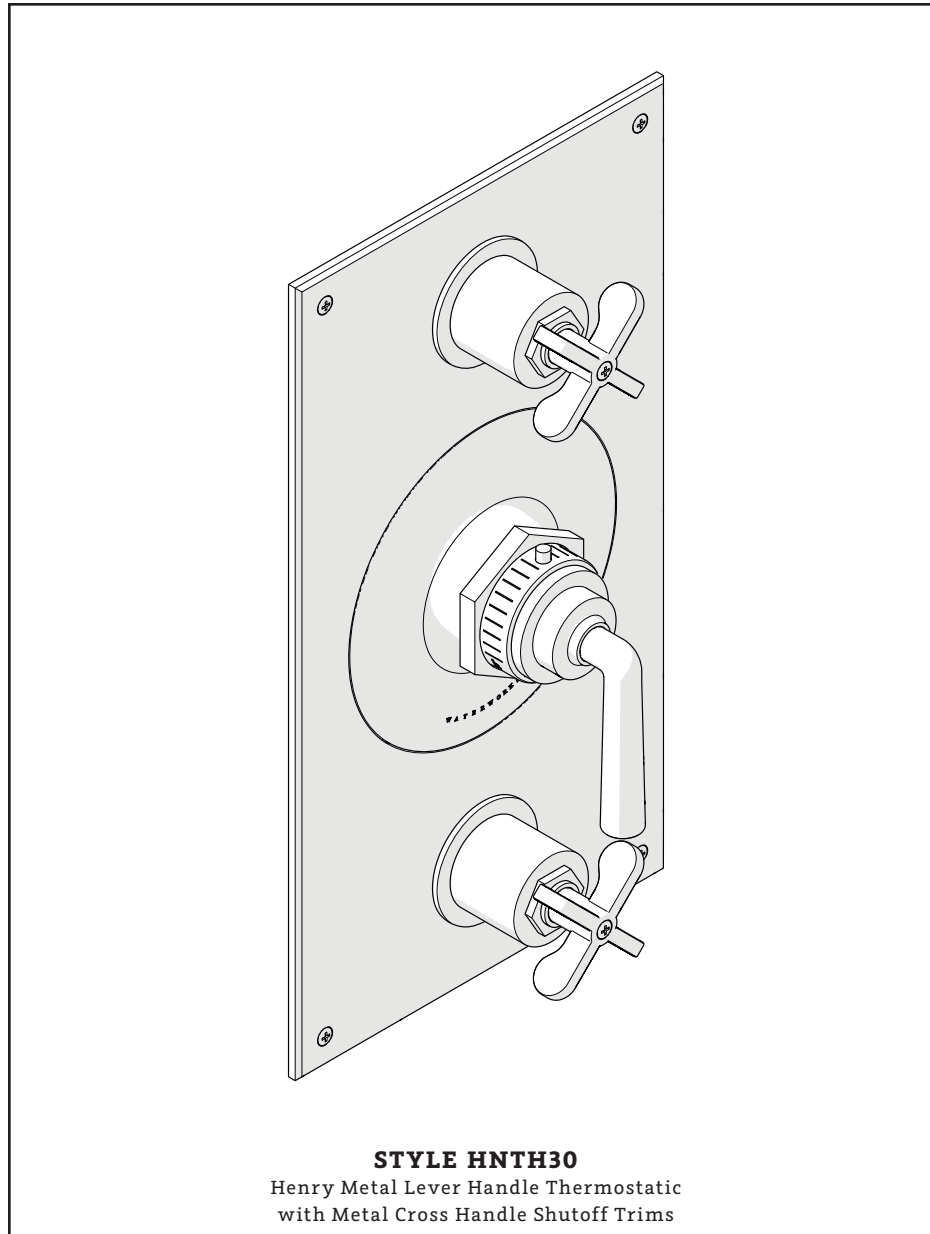




ESTB. 1978

WATERWORKS

SERVICE PARTS



STYLE HNTH30

Henry Metal Lever Handle Thermostatic
with Metal Cross Handle Shutoff Trims

WELCOME TO

WATERWORKS

For over three decades, Waterworks has transformed the bath through an absolute commitment to design authenticity, innovation and quality. A blend of scholarly appreciation and applied experience guarantees mechanical integrity, meticulous craftsmanship, and timeless designs.

**TO ORDER PARTS CALL
1 (800) 927-2120 (EXT 2)**

Order by part number and specify color, finish, or other options if required.

PRODUCT SUPPORT

Our Product Support team provides troubleshooting and technical problem resolution, including replacement parts and installation recommendations throughout the life of your product.

Product Support is available Monday through Friday, 8AM-6PM EST.

**LIMITED LIFETIME
WARRANTY**

Our warranty covers repair and replacement of Waterworks products if within the applicable coverage period and deemed defective by Waterworks. Waterworks will, at its option, repair or replace such products; this does not include installation costs, labor charges, or other incidental or consequential costs.

To obtain your complete warranty or inquire about warranty service, please visit us at www.waterworks.com or contact our Product Support Team.



ESTB. 1978

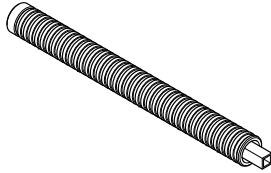
WATERWORKS

MAIN KITS

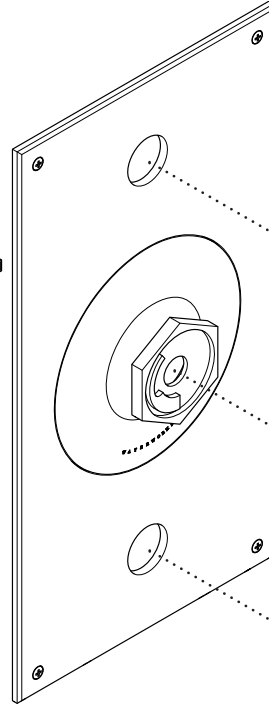
STYLES: HNTH30

*FINISH/COLOR MUST BE SPECIFIED WHEN ORDERING
++SUPPLIED AS A PAIR

812191
TRIM CONNECTOR



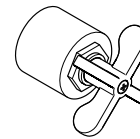
103765*
FACEPLATE TRIM



103764*
ESCUTCHEON



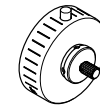
103717*
CROSS HANDLE



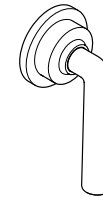
594565
TRIM NUT



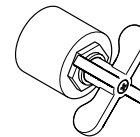
103760*
LIMIT STOP



103762*
LEVER HANDLE



103717*
CROSS HANDLE



103764*
ESCUTCHEON



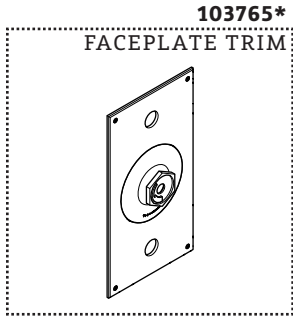
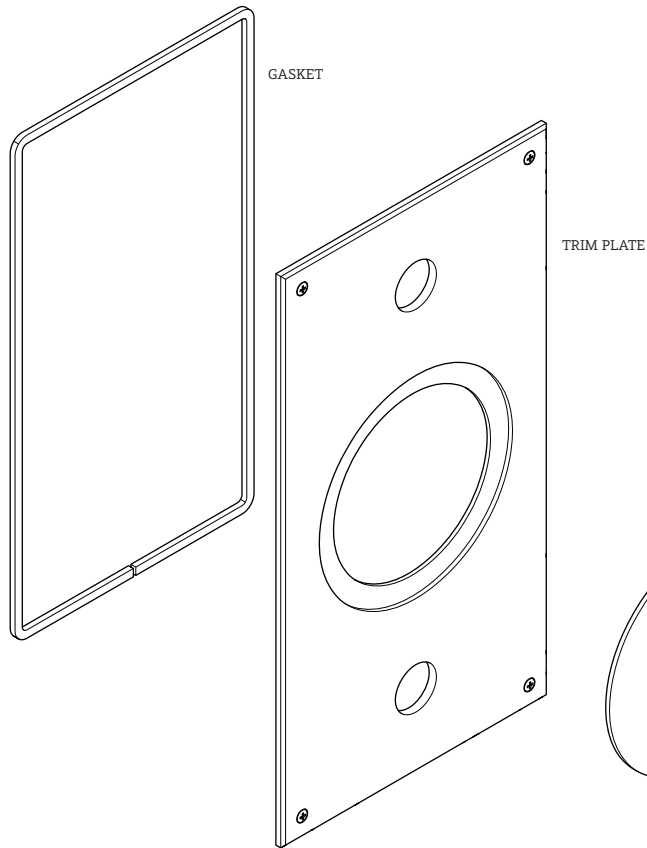


ESTB. 1978

WATERWORKS

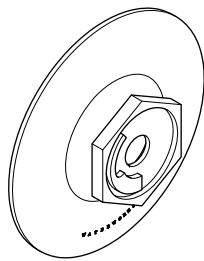
KIT COMPONENTS

STYLES: HNTH30



103765*

FACEPLATE TRIM

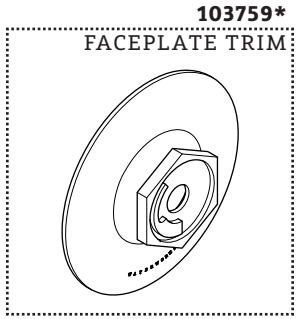
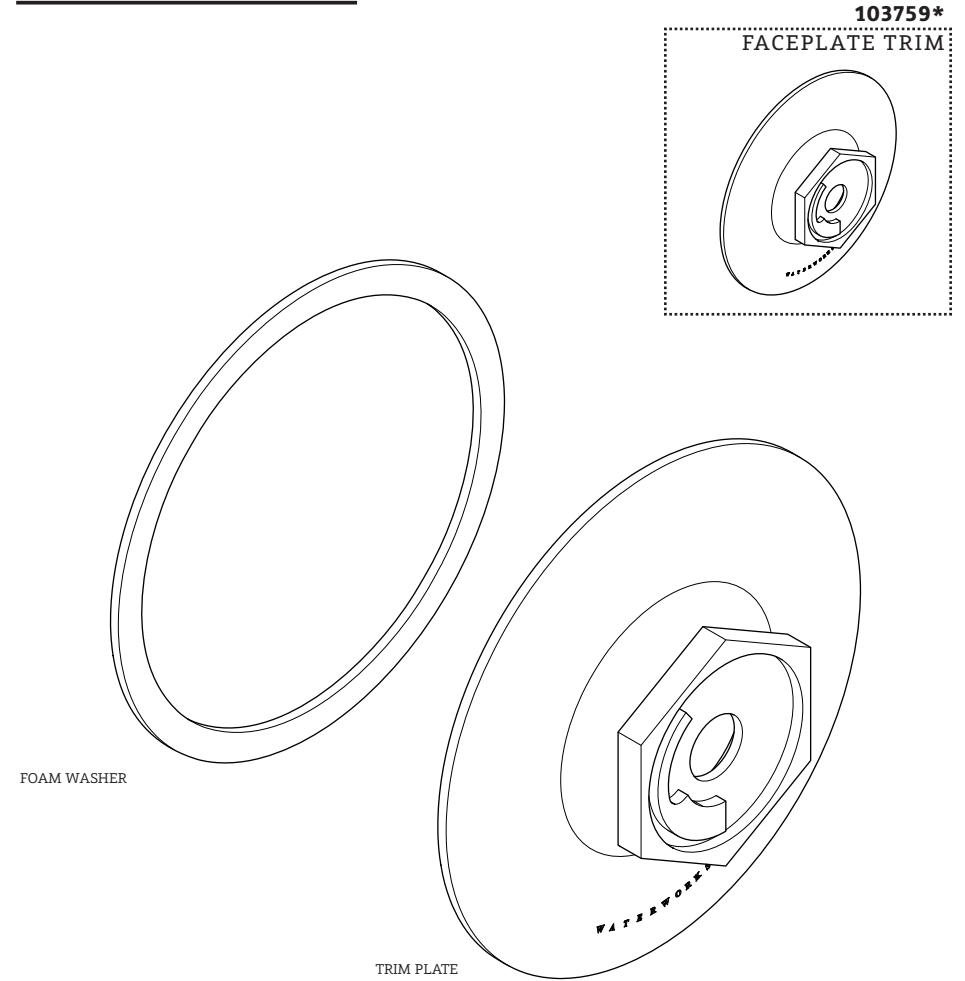


103759*

FACEPLATE TRIM

*FINISH/COLOR MUST BE SPECIFIED WHEN ORDERING
++SUPPLIED AS A PAIR

KIT COMPONENTS



103759*

FACEPLATE TRIM

FOAM WASHER

TRIM PLATE



ESTB. 1978

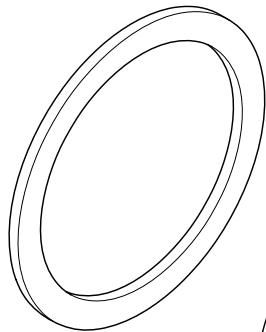
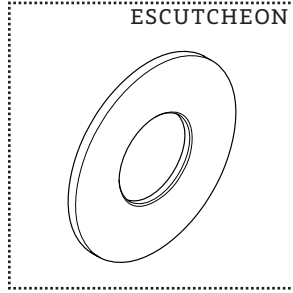
WATERWORKS

KIT COMPONENTS

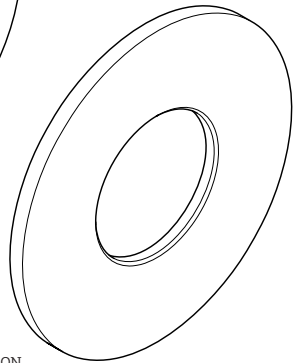
STYLES: HNTH30

103764*

ESCUTCHEON



RUBBER WASHER



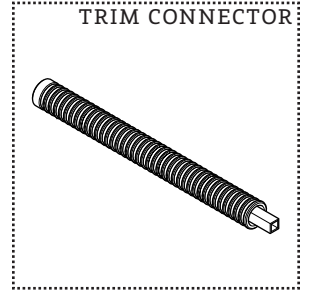
ESCUTCHEON

*FINISH/COLOR MUST BE SPECIFIED WHEN ORDERING
++SUPPLIED AS A PAIR

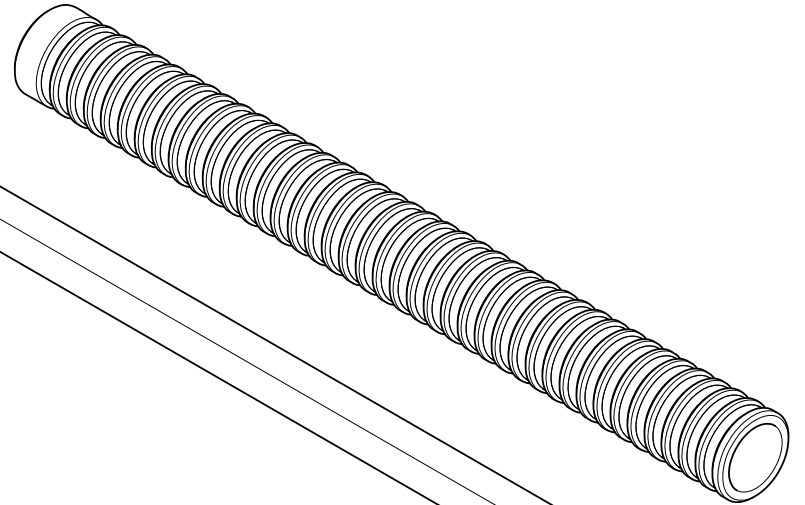
KIT COMPONENTS

812191

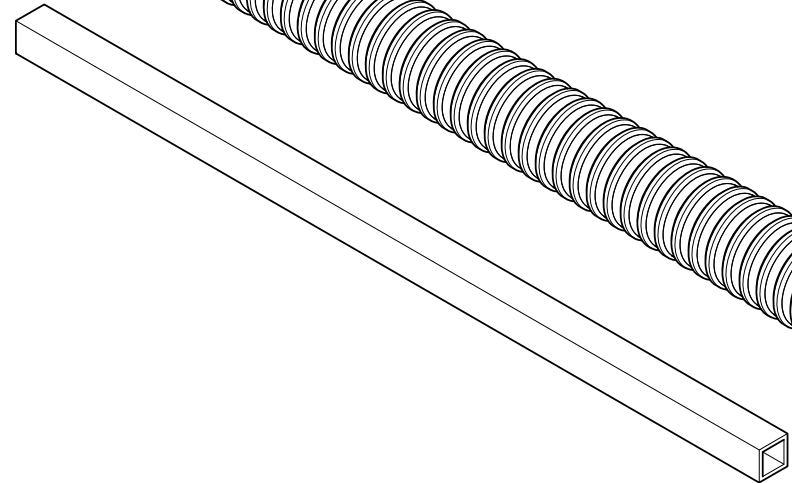
TRIM CONNECTOR



ALL THREAD TUBE



SQUARE TUBE



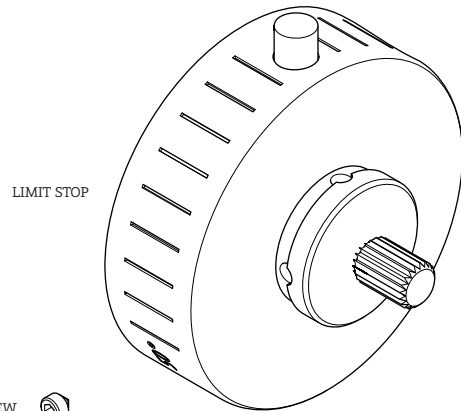
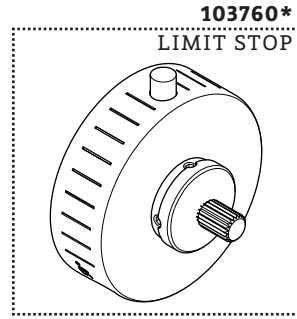


ESTB. 1978

WATERWORKS

KIT COMPONENTS

STYLES: HNTH30



*FINISH/COLOR MUST BE SPECIFIED WHEN ORDERING
++SUPPLIED AS A PAIR

SERVICE PARTS INDEX

<u>STYLE</u>	<u>DESCRIPTION</u>	<u>PG</u>
103717*	CROSS HANDLE	3
103764*	ESCUTCHEON	6
103759*	FACEPLATE TRIM	5
103765*	FACEPLATE TRIM	4
103746	FASTENING SET SCREW	8
103762*	LEVER HANDLE	3
103760*	LIMIT STOP	8
812191	TRIM CONNECTOR	7
594565	TRIM NUT	3



ESTB. 1978

WATERWORKS

PRODUCT SUPPORT

60 BACKUS AVENUE
DANBURY, CT 06810

1 (800) 927-2120 (EXT 2)

WWW.WATERWORKS.COM