

UNIVERSAL

Universal Transitional Air Gap

UNAG03



SHOWN IN UNIVERSAL TRANSITIONAL AIR GAP | UNAG03

TECHNICAL DETAILS

INSPIRATION

Featuring enduring designs that complement any Waterworks element, this collection spans fittings to accessories, bringing exquisite proportion and balance to any environment.

CODES & STANDARDS

PRODUCT FEATURES

Ideal for preventing wastewater from flowing between sink drain into dishwasher

Includes Air Gap Body

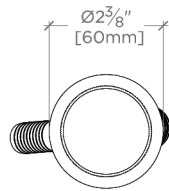
Modern Design coordinates seamlessly with our Kitchen Faucet Collections

Stocked in Chrome, Nickel, Brass, and Dark Nickel

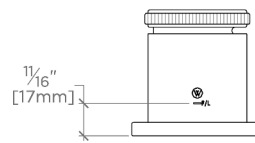
CERTIFICATIONS

PRODUCT (NOTES)

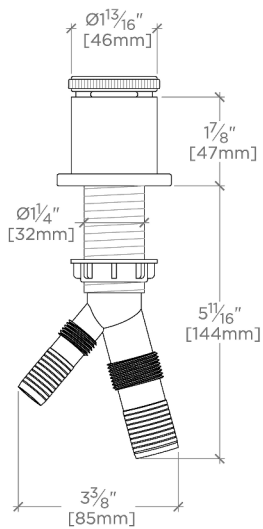
Universal Transitional Air Gap



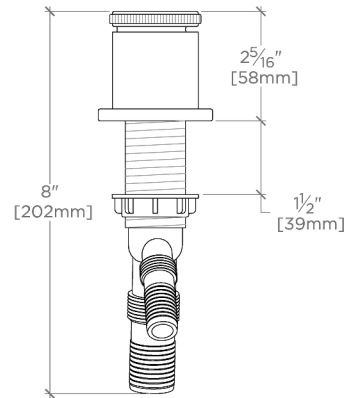
TOP VIEW SCALE: 3"=1'-0"



BACK VIEW NOT TO SCALE



FRONT VIEW SCALE: 3"=1'-0"



SIDE VIEW SCALE: 3"=1'-0"