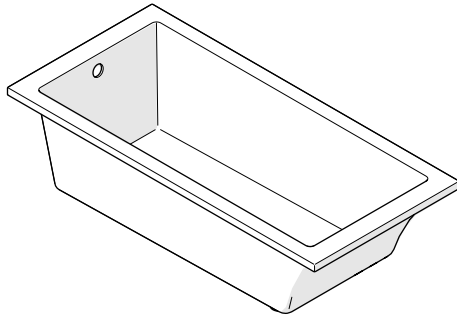


INSTALLATION GUIDELINES

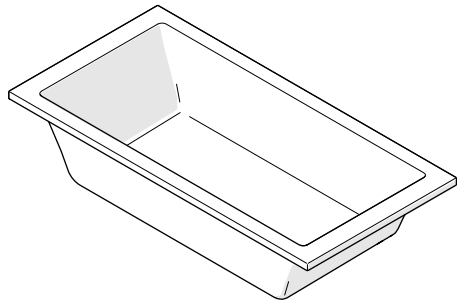
BATHTUB

BERKLEY OR SMYTH RECTANGULAR BATHTUB WITH STANDARD OVERFLOW



STYLES

BKBT5C	BKBT52	BKBT6C	BKBT55	BKBT3C	BKBT58	BKBT61	BKBT64
BKBT67	BKBT70	BKBT73	BKBT76	BKBT79	BKBT82	BKBT85	BKBT88
BKBT7C	BKBT91	BKBT94					



STYLES

SMBT62	SMBT6C	SMBT65	SMBT68	SMBT71	SMBT74	SMBT77	SMBT80
SMBT83	SMBT8C	SMBT86	SMBT89				

IMPORTANT:

- This BATHTUB must be installed by a well-experienced and professionally licensed contractor.
- The contractor must ensure the extreme weight of this BATHTUB is considered in both the site construction and installation of the BATHTUB.
- Adequate floor support is required and reinforcements will be necessary to bear the load of the BATHTUB.

- This product is for indoor use only. Use the bathtub only for its intended purpose as described in this installation guideline and do **not** use attachments or accessories which are **not** recommended by manufacturer.
- The interior of the bathtub must be protected during installation.
- Be sure your installation conforms to all federal, state, and local codes.
- This BATHTUB will be delivered to the construction or project site only. The contractor is responsible for moving the BATHTUB to the final installation location.
- Immediately after receiving the BATHTUB and removing the packing, you **MUST** inspect the unit for freight damage. Any claims for damage, whether apparent or hidden, must be made to the carrier immediately in order for them to assume all associated costs. Should inspection reveal any defect in the finish, do **not** install the BATHTUB. Damage or defect to the finish claimed after the BATHTUB is installed is excluded from the warranty. The warranty **DOES NOT** cover labor or materials to remove or reinstall the BATHTUB.
- To ensure this product is installed properly, you must read and follow these guidelines.
- Inspect this product to ensure you have all the necessary parts for proper installation and take all precautions to protect the BATHTUB during installation.
- Ensure the BATHTUB is properly supported by the base.
- The use of certain plumber putty and silicone may stain stone or tile surfaces.
- **CAUTION:** Take caution when applying the silicone and only use the necessary amount to ensure it won't cause staining.
- Use painter's tape to ensure a clean application.
- If the silicone has **not** penetrated too deep inside the marble you can try to remove it with alcohol, Mineral Spirits or with 'Acetone'. Then use white vinegar to clean and remove the small parts and what's left of the silicone.
- If further assistance is required, please contact Product Support at 1-800-927-2120, Monday through Friday, 8am - 6pm EST.
- **WARNING:** The following basic safety precautions should always be followed when using your BATHTUB.
- **Caution** should always be exercised when entering or leaving the BATHTUB.
- **DANGER:** To reduce the risk of injury, do **NOT** permit children or persons with a disability to use the BATHTUB without closer supervision.
- Keep all electrical appliances such as radios and hair dryers a safe distance from the BATHTUB.
- Do **NOT** use the BATHTUB when sleepy or drowsy, under the influence of alcohol or prescription medications or when overheated.

INSTALLATION GUIDELINES

BATHTUB

WATERWORKS

TECHNICAL DETAIL	BERKLEY	SMYTH
ASSEMBLY/CONFIGURATION	ONE PIECE	
BATHING TYPE	BATHING AND SOAKING	
BATH WELL SITTING ANGLE	110°	
BOTTOM ANGLE/PITCH	1.2°	1.4°
DRAIN HOLE DEPTH	1-3/8" [25 mm]	
DRAIN HOLE DIAMETER	Ø 2" [51 mm]	
OVERFLOW HOLE DIAMETER	Ø 2-3/8" [60 mm]	
DRILLING OPTION	NONE	
PRIMARY MATERIAL	ACRYLIC	
SINGLE OR DOUBLE ENDED	SINGLE ENDED	DOUBLE ENDED
WATER CAPACITY	VARIES BY STYLE REFERENCE SPECIFICATION DOCUMENT OF PURCHASED BATHTUB	
WEIGHT (DRY)		
WEIGHT (FILLED)		

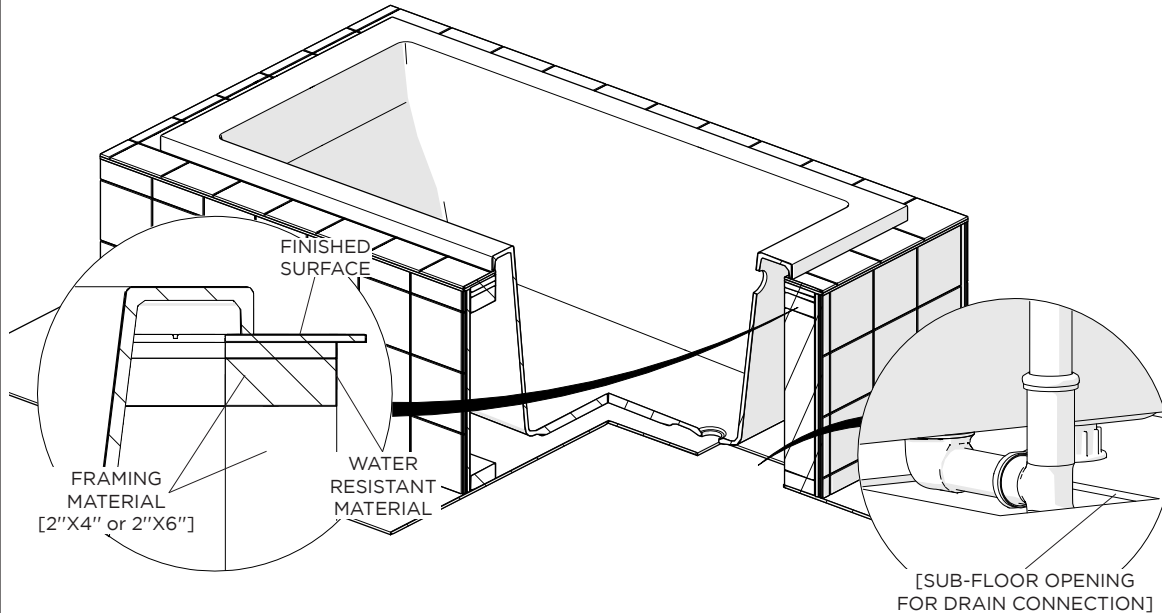
REQUIRED PLUMBING DETAILS:

- Universal Pop-up Waste and Overflow Drain **STYLE No. UNWO51.**
- Universal Drain Plug Waste and Overflow Drain **STYLE No. UNWO76.**

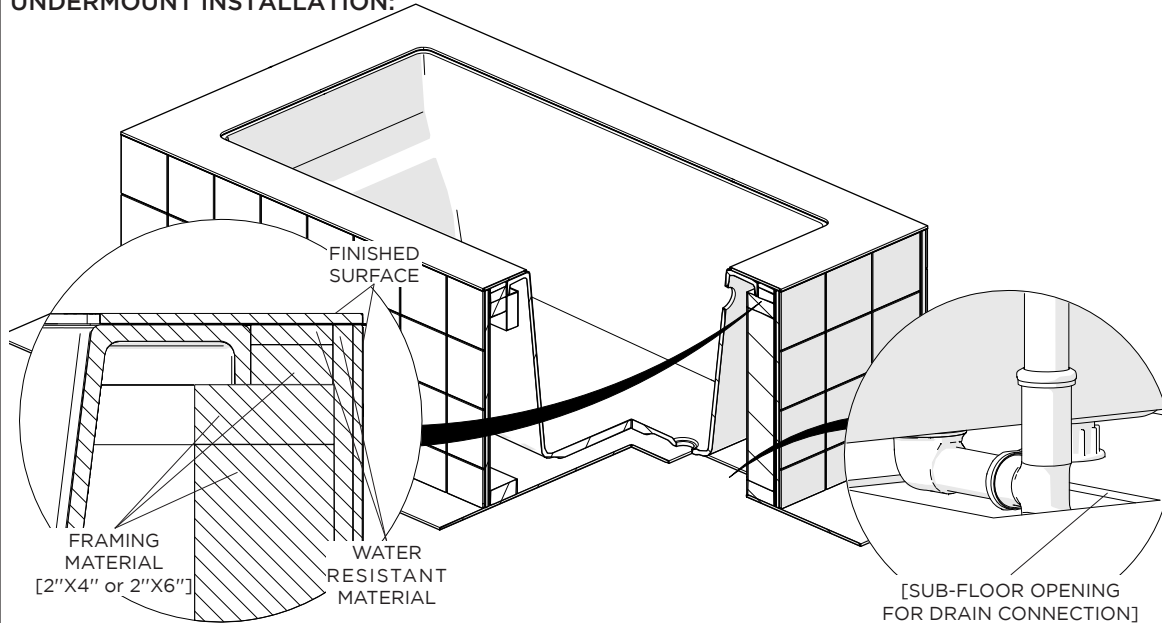
ROUGH-IN:

- Build the framing structure for the BATHTUB being installed based on dimensions from the Specification Document.
- The framing structure should take into account:
 - Drain, faucet, and other plumbing connections.
 - Thickness of finished surfaces and other construction materials.
- Ensure the sub-floor is level, clean, and free of debris before proceeding with the installation.
- Follow the manufacturer's instructions when installing the drain to the BATHTUB.

DROP-IN INSTALLATION:



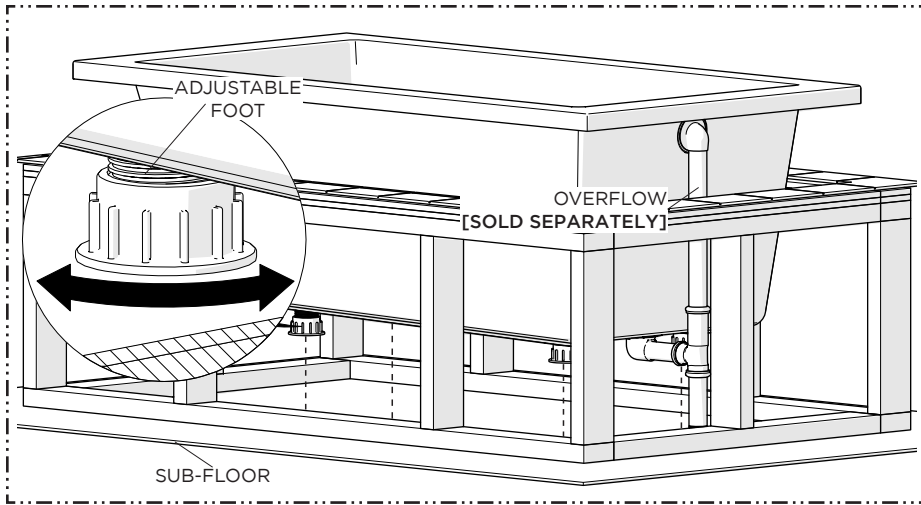
UNDERMOUNT INSTALLATION:



INSTALLATION GUIDELINES

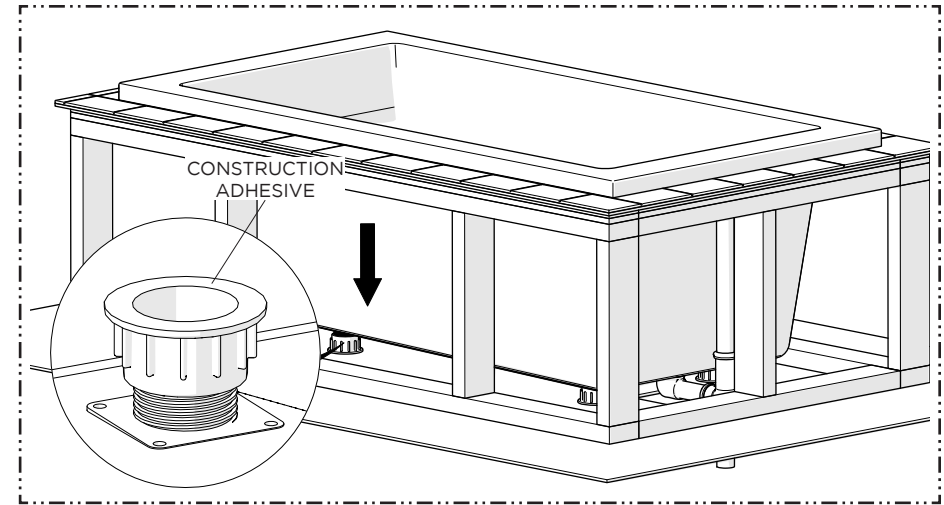
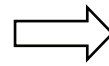
BATHTUB

WATERWORKS

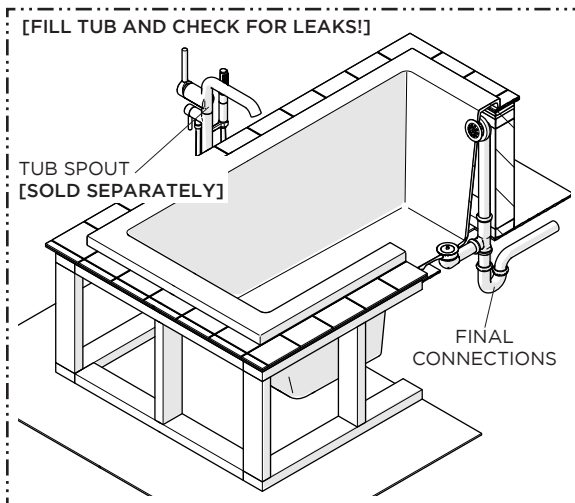


1. Dry-fit the BATHTUB into the framing structure to ensure the BATHTUB is level and ONLY supported by the ADJUSTABLE FOOT. Adjust the FOOT as needed.

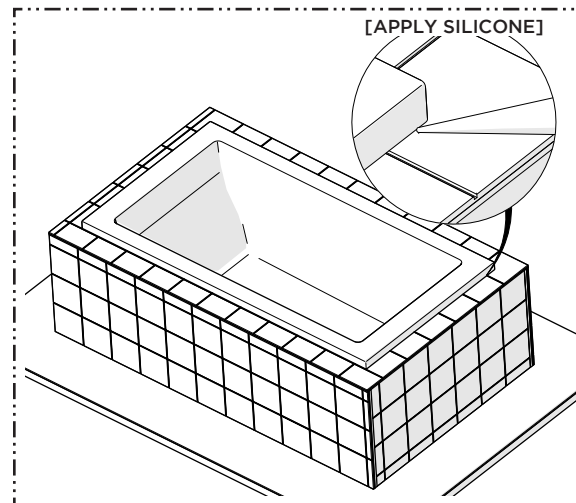
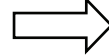
CAUTION: The weight of the BATHTUB must **not** be supported by the deck or rim of the BATHTUB.



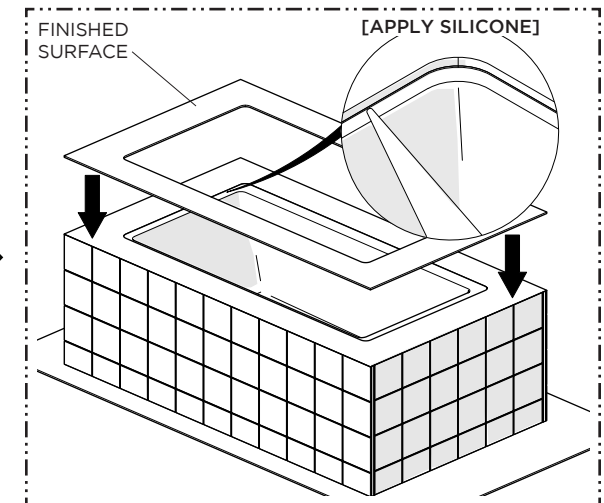
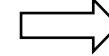
2. Remove the BATHTUB, apply construction adhesive to the bottom of each ADJUSTABLE FOOT, then place the TUB back into the framing structure and ensure it is level.



3. Make the final drain connections below the floor, then fill the BATHTUB up to the overflow hole and check for leaks. Ensure the drain and overflow are functioning.



4. Complete the finished surface installation then apply silicone around the edges of the BATHTUB.



FOR UNDERMOUNT INSTALLATION ONLY:

5. Complete the finished surface installation then apply silicone around the edges of the BATHTUB.

CAUTION: Cutting dimensions for the opening on the finished surface should be taken from the actual BATHTUB being used.