

.25

PTBT25

.25 70" x 40" x 29" Freestanding Oval Bathtub



SHOWN IN .25 70" X 40" X 29" FREESTANDING OVAL BATHTUB | PTBT25

TECHNICAL DETAILS

ADA Compliance: No
 Adjustable Levelers Feet: N
 Assembly Configuration: One Piece
 Bathing Type: Bathing and Soaking
 Depth/Width: 1016 mm
 Drilling Option: None
 Height: 737 mm
 Installation Type: Freestanding
 Item Weight Filled: 415.490272 kg
 Length: 1778 mm
 Material Wall Thickness: 6 mm
 Number Of Holes: Two Hole
 Overflow Opening: Yes
 Primary Material: Fiberglass
 Single Or Double Ended: Single Ended
 Suggested Application: Bath

INSPIRATION

.25 is the ultimate in utilitarian elegance: A simple and understated design that is equally functional and beautiful.

CODES & STANDARDS

cUL Model Number: 7040; CSA B45.5/IAPMO Z124

PRODUCT FEATURES

The .25 bathtub brings a sculptural sensibility and an aesthetic purity to the bath

Our .25 tubs are made of composite material

CERTIFICATIONS



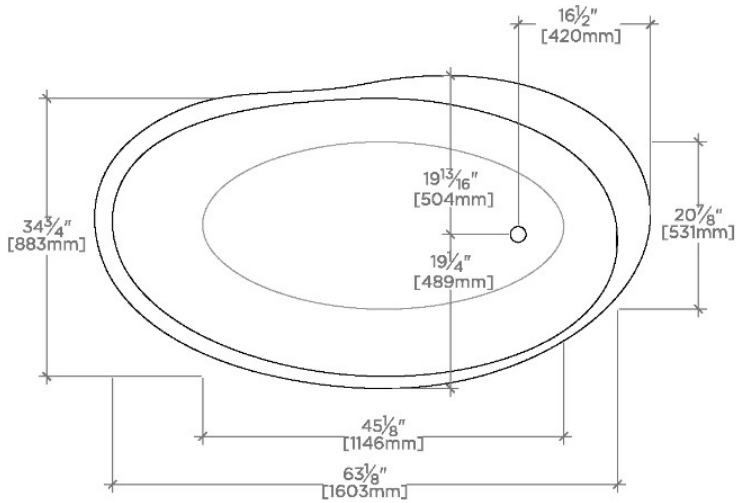
PRODUCT (NOTES)

Dimensions of fixtures are nominal. Measure your actual product for rough-in details.

.25

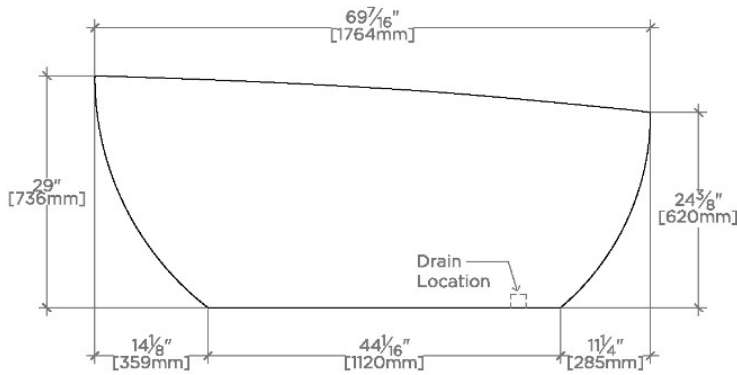
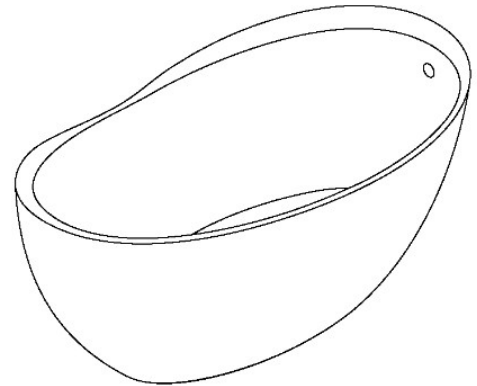
PTBT25

.25 70" x 40" x 29" Freestanding Oval Bathtub



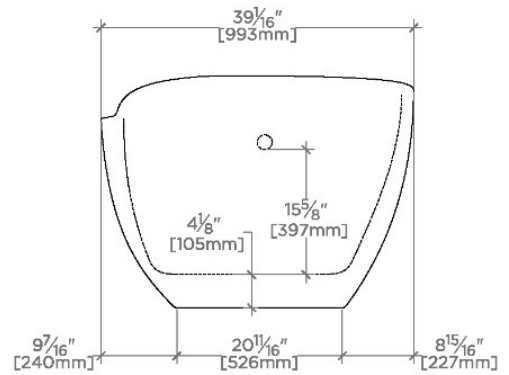
TOP VIEW

SCALE: 1/2"=1'-0"



SIDE VIEW

SCALE: 1/2"=1'-0"



END VIEW

SCALE: 1/2"=1'-0"