

Classic

CLBT05

Classic 72" x 37" x 22" Oval Bathtub with Center Drain



SHOWN IN CLASSIC 72" X 37" X 22" OVAL BATHTUB WITH CENTER DRAIN | CLBT05

TECHNICAL DETAILS

ADA Compliance: No
 Assembly Configuration: One Piece
 Bathing Type: Bathing, Soaking and Showering
 Depth/Width: 940 mm
 Drilling Option: None
 Height: 559 mm
 Installation Type: Drop In or Undermount
 Item Weight Filled: 344.276328 kg
 Length: 1829 mm
 Number Of Holes: Two Hole
 Overflow Opening: Yes
 Primary Material: Acrylic
 Single Or Double Ended: Double Ended
 Suggested Application: Bath

INSPIRATION

Our Classic collection encompasses core elements for every bath. This collection is perfect for all design aesthetics.

CODES & STANDARDS

cUL Model Number: 7237; CSA B45.5/IAPMO Z124

PRODUCT FEATURES

Constructed of high density acrylic which is the highest industry standard

The high density acrylic acts as a reinforcement and provided an overall thicker bathtub construction

CERTIFICATIONS



PRODUCT (NOTES)

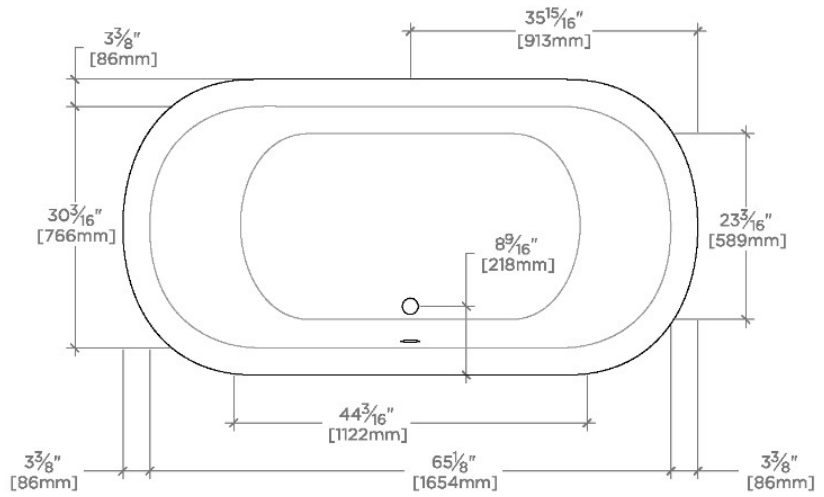
Dimensions of fixtures are nominal. Measure your actual product for rough-in details.

WATERWORKS

Classic

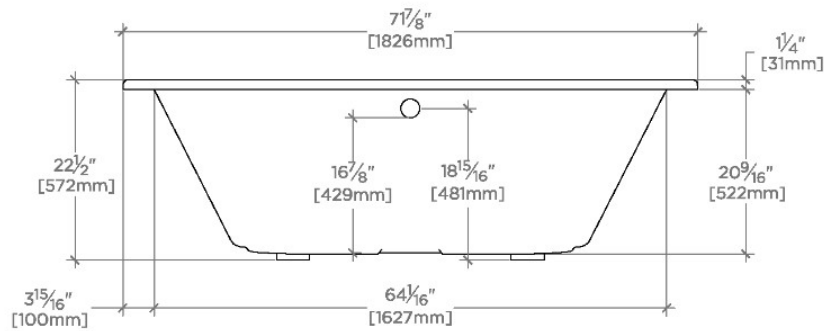
CLBT05

Classic 72" x 37" x 22" Oval Bathtub with Center Drain



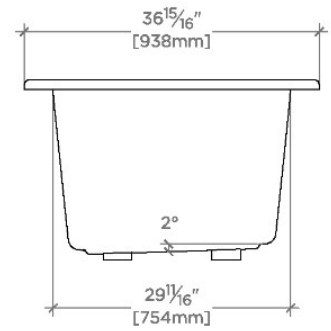
TOP VIEW

SCALE: 1/2"=1'-0"



SIDE VIEW

SCALE: 1/2"=1'-0"



END VIEW

SCALE: 1/2"=1'-0"