

ViaWorks

GU73TH

ViaWorks 1/2" Thermostatic Valve with Integrated Three Way Diverter with Shutoff Valve



TECHNICAL DETAILS

Fittings Hole Diameter: 76 mm
Inlet Connection Size: 1/2"
Inlet Connection Type: Male BSPP
Outlet Connection Size: 1/2"
Outlet Connection Type: Male G/BSPP
Primary Material: Brass
Valve Material: Wax Element/Ceramic
Water Pressure Maximum: 6.0 bar
Water Pressure Minimum: 1.5 bar
Water Pressure Recommended: 3.0 bar

SHOWN IN VIAWORKS 1/2" THERMOSTATIC VALVE WITH INTEGRATED THREE WAY DIVERTER WITH SHUTOFF VALVE | GU73TH

INSPIRATION

The ViaWorks collection encompasses all Waterworks valves, which are just as impeccably engineered as our legendary fittings and the finest the industry has to offer in terms of performance, features and functionality. ViaWorks valves are engineered with more than three generations of bath and kitchen expertise, each with installers and lifelong service in mind.

CODES & STANDARDS

PRODUCT FEATURES

Integrated anti-scald protection.

1/2" NPT Connections

6 gpm (gallons per minute) unrestricted maximum flow at 60 psi

Flows water to up to two shower components simultaneously

Made in Europe of Brass Construction

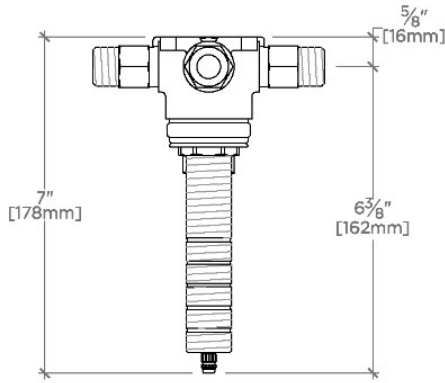
CERTIFICATIONS

PRODUCT (NOTES)

ViaWorks

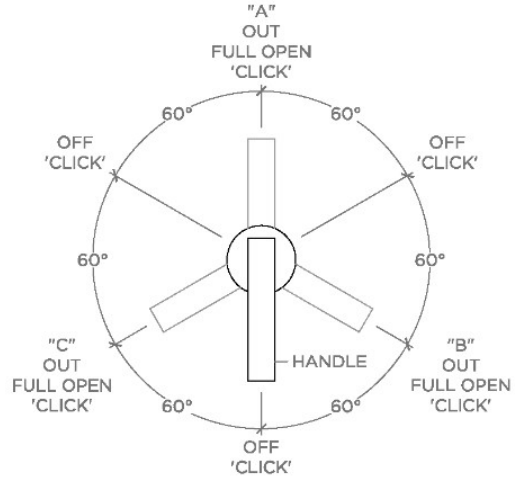
GU73TH

ViaWorks 1/2" Thermostatic Valve with Integrated Three Way Diverter with Shutoff Valve

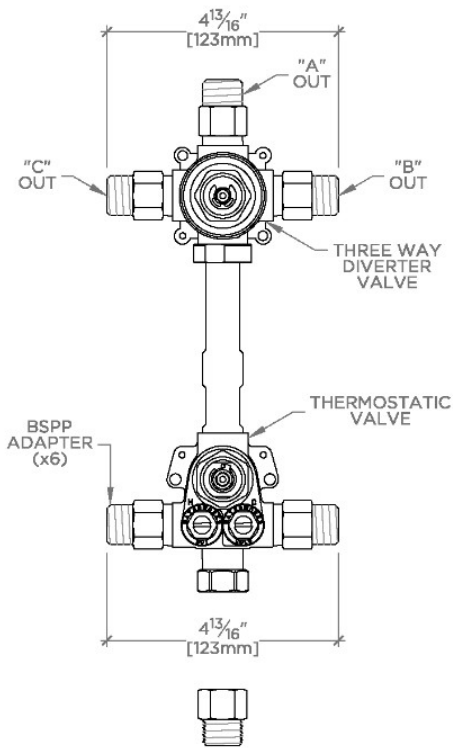


TOP VIEW

SCALE: 3"=1'-0"

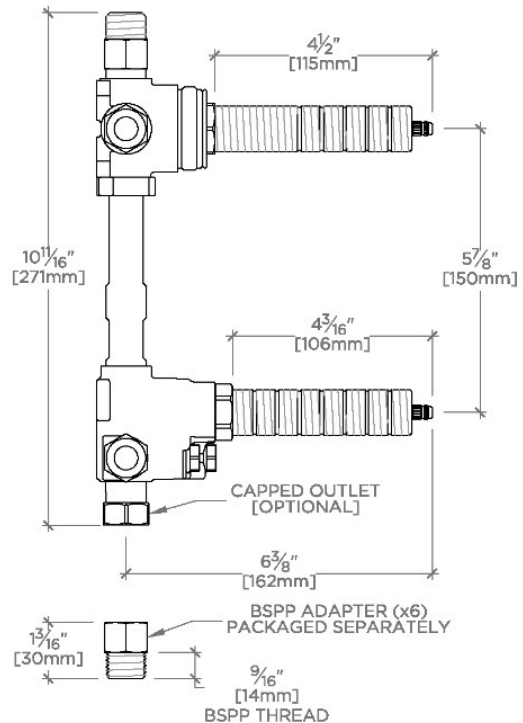


THREE WAY DIVERTER OPERATION



FRONT VIEW

SCALE: 3"=1'-0"



SIDE VIEW

SCALE: 3"=1'-0"