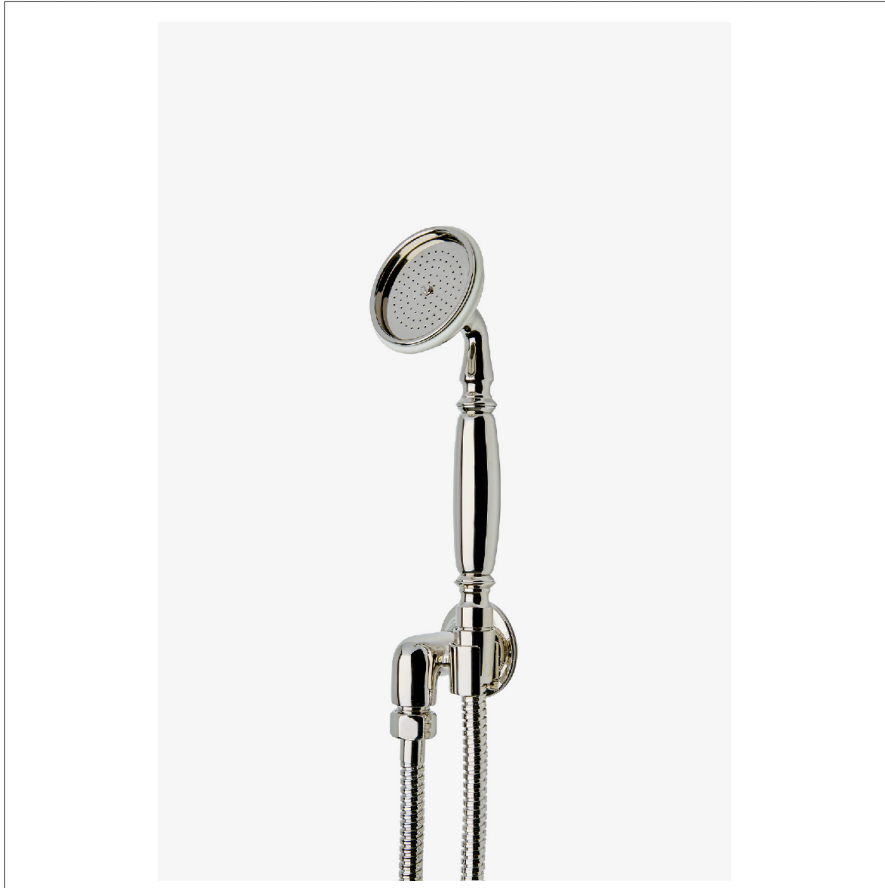


RIVERUN

Riverun Handshower on Hook

RRHS01



SHOWN IN RIVERUN HANDSHOWER ON HOOK | RRHS01

TECHNICAL DETAILS

INSPIRATION

This new American classic was designed with simplicity in mind. Featuring streamlined forms and honest details, it's the epitome of quiet elegance.

CODES & STANDARDS

ASME A112.18.1/CSA B125.1, Waterworks Handshowers use check valves compliant to ASME A112.18.3 for backflow protection. CEC, DOE, State of MA

PRODUCT FEATURES

2 3/4" head

Features a Fixed Spray Pattern

Stocked in Nickel and Brass

Available in 1.75gpm (6.6L/min) flow rate

CERTIFICATIONS



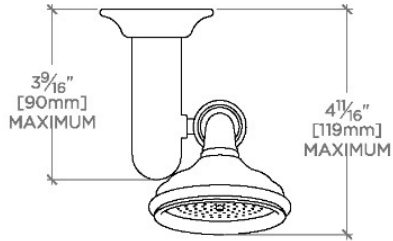
PRODUCT (NOTES)

WATERWORKS

RIVERUN

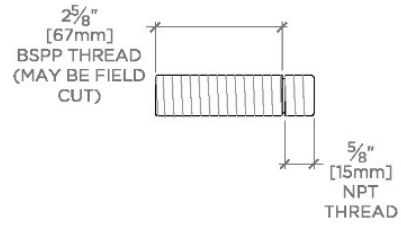
RRHS01

Riverun Handshower on Hook

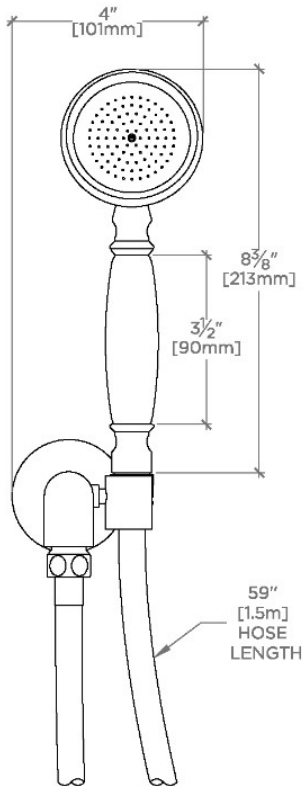


TOP VIEW

SCALE: 3"=1'-0"

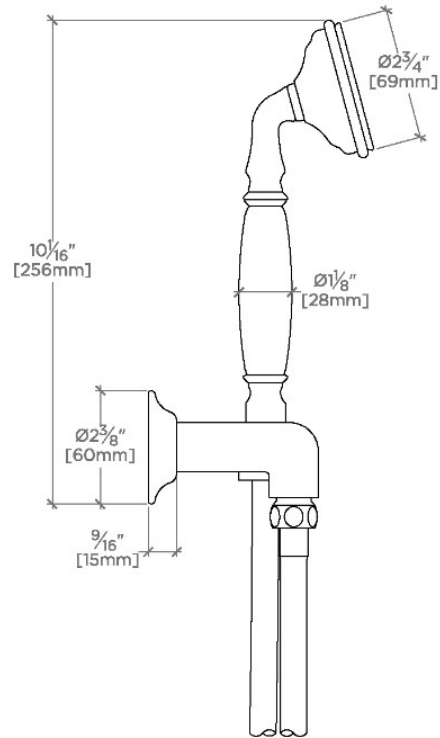


ADAPTER INCLUDED - INTERNATIONAL USE ONLY



FRONT VIEW

SCALE: 3"=1'-0"



SIDE VIEW

SCALE: 3"=1'-0"