

Bond

BLS32C

Bond Union Series Wall Mounted Lavatory Faucet with Guilloche Link Single Lever Handle



SHOWN IN BOND UNION SERIES WALL MOUNTED LAVATORY FAUCET WITH GUILLOCHE LINK SINGLE LEVER HANDLE | BLS32C

TECHNICAL DETAILS

ADA Compliance: Yes
 Drain Depth Maximum: 67 mm
 Drain Depth Minimum: 10 mm
 Drain Hole Diameter: 44 mm
 Drain Style: Push Touch
 Fittings Hole Diameter: 35 mm
 Flow Restriction Options: 1.2
 Handle Turn Angle: Quarter Turn
 Inlet Connection Size: 1/2"
 Inlet Connection Type: Female NPT
 Number Of Holes: Two Hole
 Primary Material: Brass
 Restricted Maximum Flow Rate: 4.5 liters/min
 Spout Swivel: N
 Valve Material: Ceramic
 Water Pressure Maximum: 6.0 bar
 Water Pressure Minimum: 1.5 bar
 Water Pressure Recommended: 3.0 bar

INSPIRATION

Modern designs infused with rare soul and artistry. Explore our wide range of Bond bath and kitchen elements, from fittings to fixtures to hardware.

CODES & STANDARDS

BLS32CX, NSF/ANSI/CAN 61:Q < 1, NSF/ANSI/CAN 372, ASME A112.18.1/CSA B125.1, CEC, State of MA

PRODUCT FEATURES

Lever Handle

Includes European size push touch drain

Features Guilloche Link Pattern Handle

Stocked in Nickel and Brass

Available in 1.2gpm (4.5L/min) flow rate; Requires rough valve, sold separately: GULV29

CERTIFICATIONS

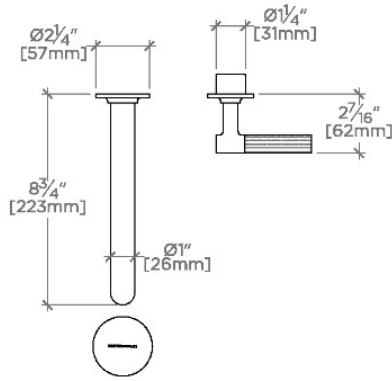


PRODUCT (NOTES)

Bond

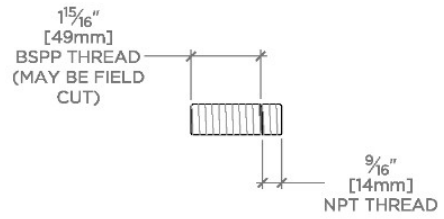
BLS32C

Bond Union Series Wall Mounted Lavatory Faucet with
Guilloche Link Single Lever Handle

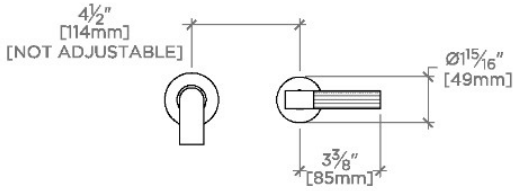


TOP VIEW

SCALE: 1/2"=1'-0"

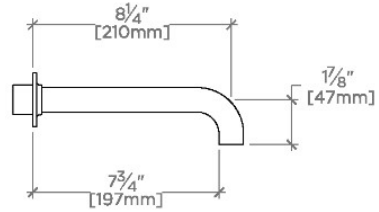


ADAPTER INCLUDED - INTERNATIONAL USE ONLY



FRONT VIEW

SCALE: 1/2"=1'-0"



SIDE VIEW

SCALE: 1/2"=1'-0"

