

## UNIVERSAL

Universal Modern Air Gap

## UNAG02



SHOWN IN UNIVERSAL MODERN AIR GAP | UNAG02

### TECHNICAL DETAILS

---

### INSPIRATION

Featuring enduring designs that complement any Waterworks element, this collection spans fittings to accessories, bringing exquisite proportion and balance to any environment.

### CODES & STANDARDS

---

### PRODUCT FEATURES

Ideal for preventing wastewater from flowing between sink drain into dishwasher

Includes Air Gap Body

Transitional Design coordinates seamlessly with our Kitchen Faucet Collections

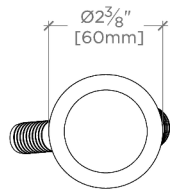
Stocked in Chrome, Nickel, Brass, and Dark Nickel

### CERTIFICATIONS

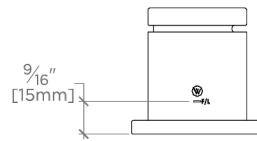
---

### PRODUCT (NOTES)

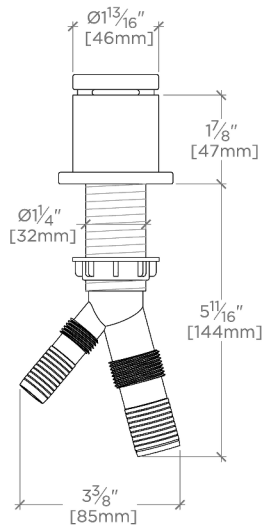
---



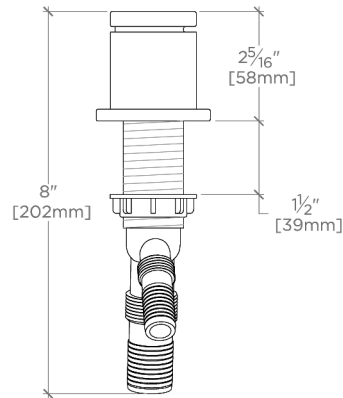
TOP VIEW SCALE: 3"=1'-0"



BACK VIEW NOT TO SCALE



FRONT VIEW SCALE: 3"=1'-0"



SIDE VIEW SCALE: 3"=1'-0"