

Empire

EMBT01

Empire 71" x 34 1/2" x 24" Freestanding Rectangular Bathtub



SHOWN IN EMPIRE 71" X 34 1/2" X 24" FREESTANDING RECTANGULAR BATHTUB | EMBT01

TECHNICAL DETAILS

ADA Compliance: No
 Adjustable Levelers Feet: N
 Assembly Configuration: One Piece
 Bathing Type: Bathing and Soaking
 Bathing Well Sitting Angle: 110 degree_angle
 Depth/Width: 864 mm
 Drilling Option: None
 Height: 610 mm
 Installation Type: Freestanding
 Item Weight Filled: 390.542712 kg
 Length: 1778 mm
 Material Wall Thickness: 6 mm
 Number Of Holes: Two Hole
 Overflow Opening: Yes
 Primary Material: Fiberglass
 Single Or Double Ended: Double Ended
 Suggested Application: Bath

INSPIRATION

The Empire collection makes a bold statement; designed as an adaptation of styles popular in England and France during the late 19th century.

CODES & STANDARDS

cUL Model Number: 7135; CSA B45.5/IAPMO Z124

PRODUCT FEATURES

- Our Empire tubs are made of composite material
- Thermal insulation helps maintain water temperature
- The interior and exterior are hand finished.

CERTIFICATIONS



PRODUCT (NOTES)

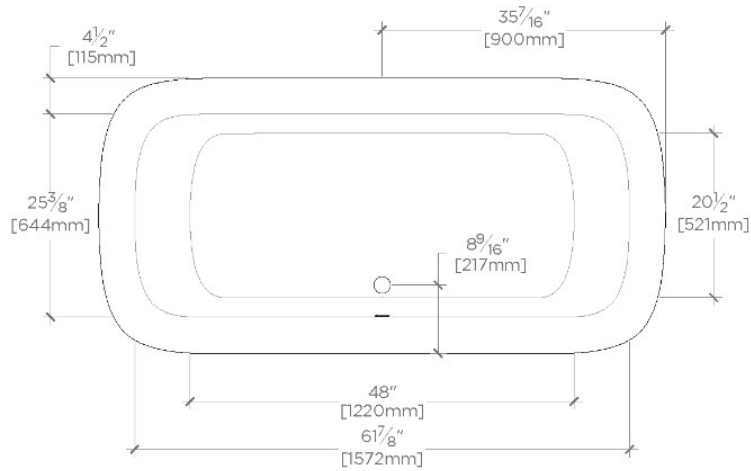
Dimensions of fixtures are nominal. Measure your actual product for rough-in details.

WATERWORKS

Empire

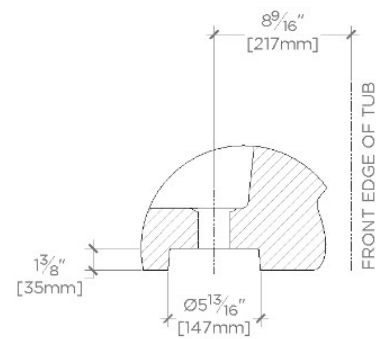
EMBT01

Empire 71" x 34 1/2" x 24" Freestanding Rectangular Bathtub



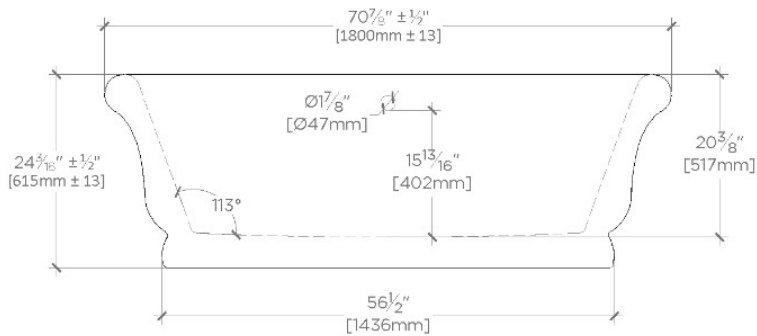
TOP VIEW

SCALE: 1/2"=1'-0"



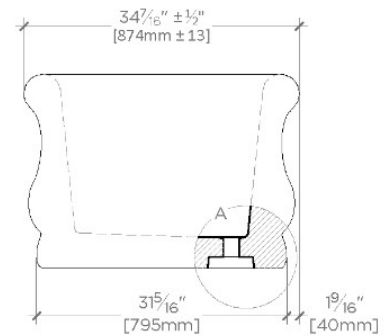
DETAIL:A

SCALE: 1"=1'-0"



FRONT VIEW

SCALE: 1/2"=1'-0"



SIDE VIEW

SCALE: 1/2"=1'-0"