

Classic

CLBT03

Classic 60" x 31" x 20" Rectangular Bathtub with End Drain



SHOWN IN CLASSIC 60" X 31" X 20" RECTANGULAR BATHTUB WITH END DRAIN | CLBT03

TECHNICAL DETAILS

ADA Compliance: No
 Adjustable Levelers Feet: N
 Assembly Configuration: One Piece
 Bathing Type: Bathing, Soaking and Showering
 Depth/Width: 787 mm
 Drilling Option: None
 Height: 508 mm
 Installation Type: Drop In or Undermount
 Item Weight Filled: 258.54744 kg
 Length: 1524 mm
 Number Of Holes: Two Hole
 Overflow Opening: Yes
 Primary Material: Acrylic
 Single Or Double Ended: Single Ended
 Suggested Application: Bath

INSPIRATION

Our Classic collection encompasses core elements for every bath. This collection is perfect for all design aesthetics.

CODES & STANDARDS

cUL Model Number: 6031; CSA B45.5/IAPMO Z124

PRODUCT FEATURES

Constructed of high density acrylic which is the highest industry standard

The high density acrylic acts as a reinforcement and provided an overall thicker bathtub construction

CERTIFICATIONS



PRODUCT (NOTES)

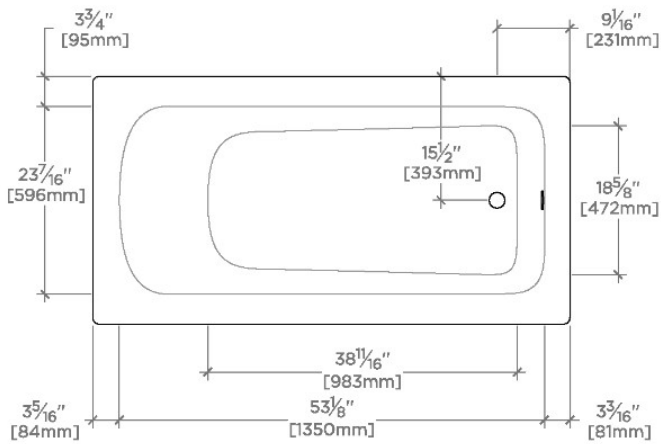
Dimensions of fixtures are nominal. Measure your actual product for rough-in details.

WATERWORKS

Classic

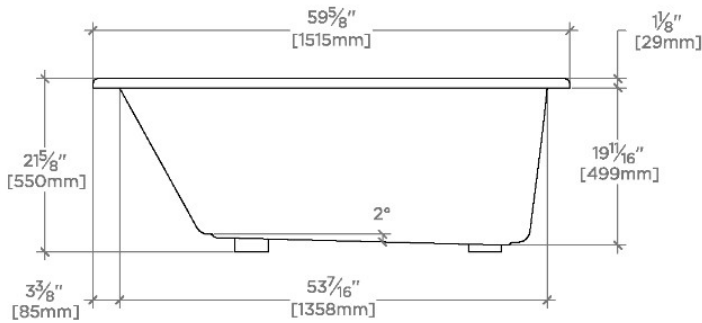
CLBT03

Classic 60" x 31" x 20" Rectangular Bathtub with End Drain



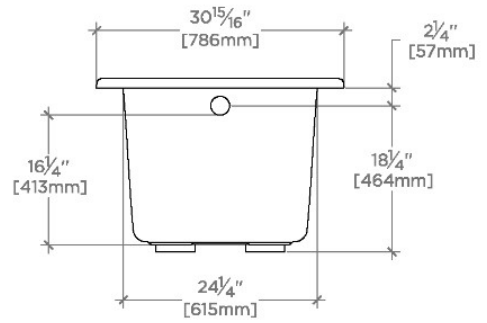
TOP VIEW

SCALE: 1/2"=1'-0"



SIDE VIEW

SCALE: 1/2"=1'-0"



END VIEW

SCALE: 1/2"=1'-0"