

BOND

BKM22A

Bond Tandem Series Gooseneck Kitchen Faucet and Spray with Guilloche Lines Lever Handles



FILEDESCRIPTION

TECHNICAL DETAILS

Deck Thickness Maximum: 37 mm
Deck Thickness Minimum: 6 mm
Fittings Hole Diameter: 35 mm
Handle Turn Angle: Quarter Turn
Handshower / Spray Hose Length: 1.5 m
Inlet Connection Size: 1/2"
Inlet Connection Type: Male with Supply Nut
Integrated Diverter: Y
Restricted Maximum Flow Rate: 6.6 liters/min
Spout Swivel: Y
Spray Included in Unit: Y
Valve Material: Ceramic
Water Pressure Maximum: 6.0 bar
Water Pressure Minimum: 1.5 bar
Water Pressure Recommended: 3.0 bar

INSPIRATION

Modern designs infused with rare soul and artistry. Explore our wide range of Bond bath and kitchen elements, from fittings to fixtures to hardware.

PRODUCT FEATURES

Lever Handles

Powerful Side spray with push button activation

Features Linear Guilloche Etching Handles

Stocked in Nickel and Brass

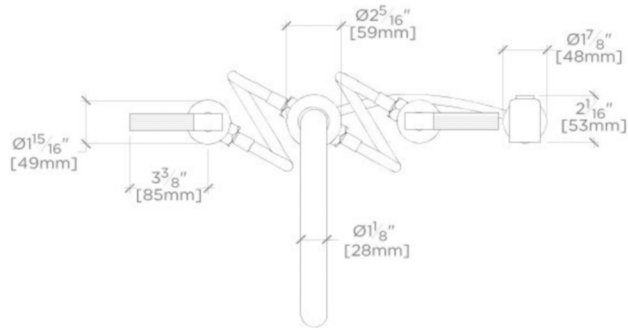
Available in 1.75gpm (6.6L/min) flow rate

WATERWORKS

BOND

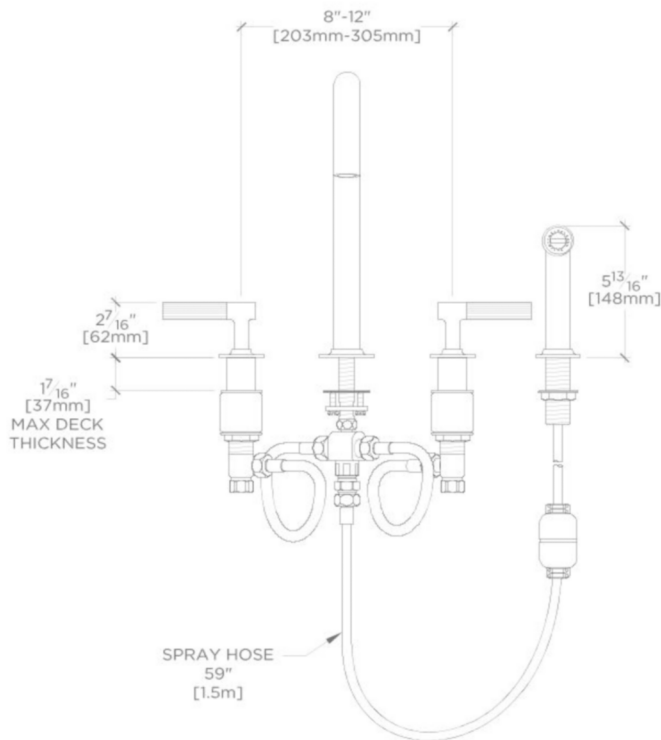
BKM22A

Bond Tandem Series Gooseneck Kitchen Faucet and Spray with Guilloche Lines Lever Handles



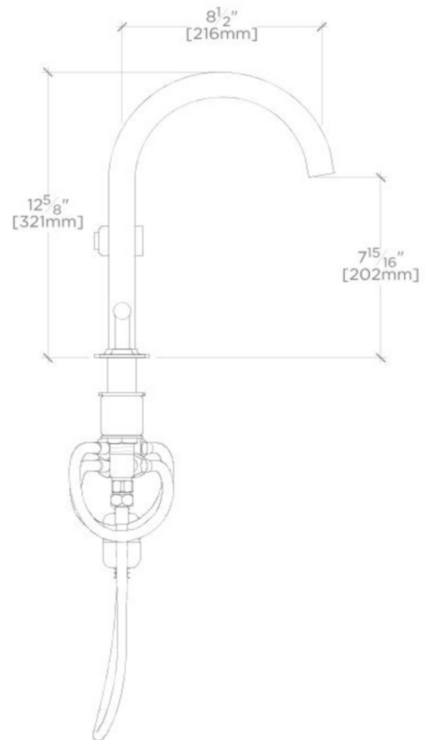
TOP VIEW

SCALE: 1 $\frac{1}{2}"$ =1'-0"



FRONT VIEW

SCALE: 1 $\frac{1}{2}"$ =1'-0"



SIDE VIEW

SCALE: 1 $\frac{1}{2}"$ =1'-0"