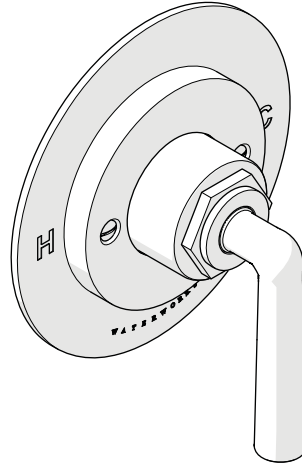


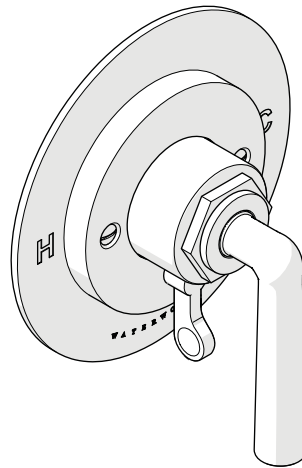


ESTB. 1978

WATERWORKS SERVICE PARTS



STYLE HNPB10
Henry Pressure Balance Control Valve Trim



STYLE HNPB30
Henry Pressure Balance with Diverter Trim

WELCOME TO

WATERWORKS

For over three decades, Waterworks has transformed the bath through an absolute commitment to design authenticity, innovation and quality. A blend of scholarly appreciation and applied experience guarantees mechanical integrity, meticulous craftsmanship, and timeless designs.

**TO ORDER PARTS CALL
1 (800) 927-2120 (EXT 2)**

Order by part number and specify color, finish, or other options if required.

PRODUCT SUPPORT

Our Product Support team provides troubleshooting and technical problem resolution, including replacement parts and installation recommendations throughout the life of your product.

Product Support is available Monday through Friday, 8AM-6PM EST.

**LIMITED LIFETIME
WARRANTY**

Our warranty covers repair and replacement of Waterworks products if within the applicable coverage period and deemed defective by Waterworks. Waterworks will, at its option, repair or replace such products; this does not include installation costs, labor charges, or other incidental or consequential costs.

To obtain your complete warranty or inquire about warranty service, please visit us at www.waterworks.com or contact our Product Support Team.

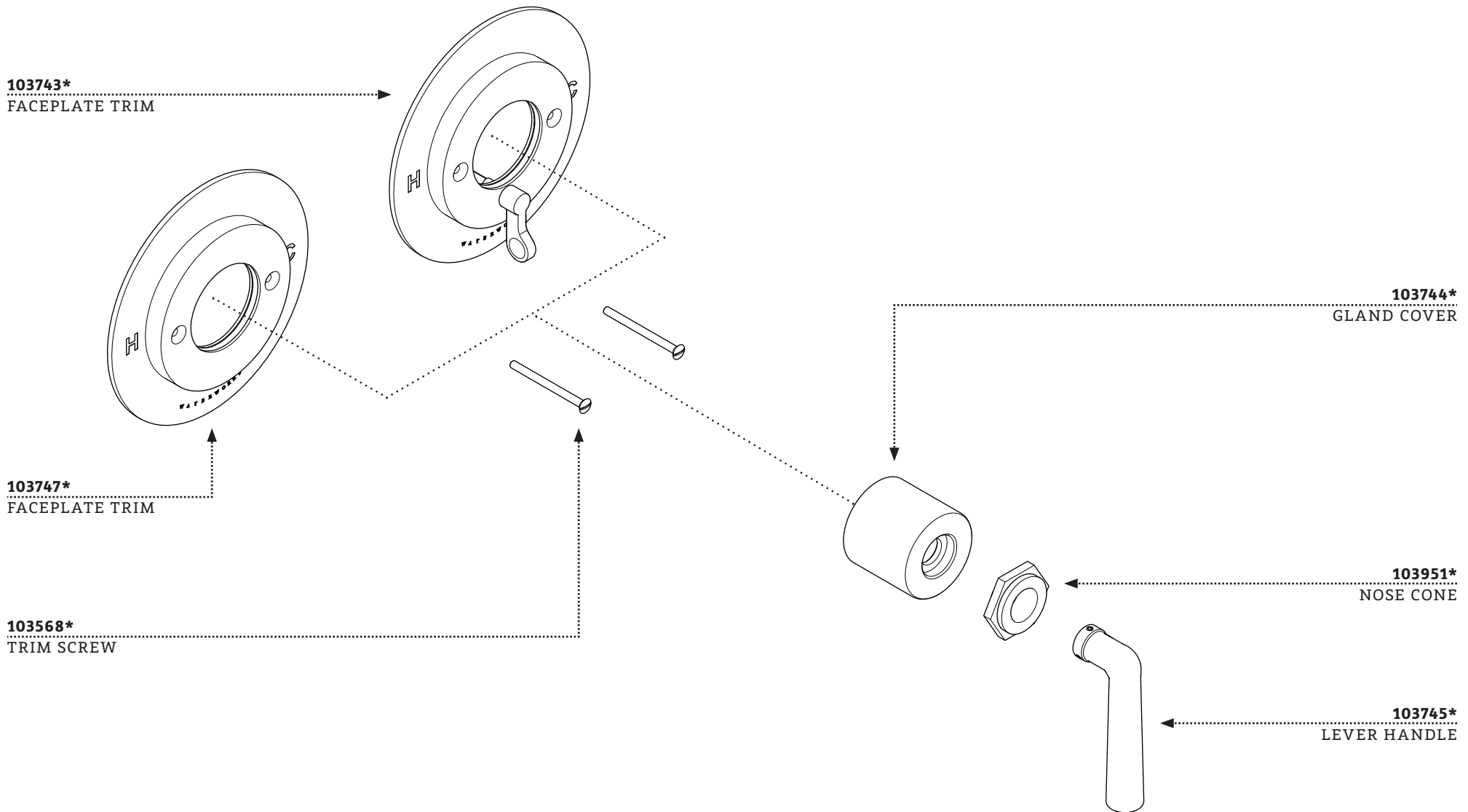


ESTB. 1978

WATERWORKS

MAIN KITS

STYLES: HNPB10, HNPB30



*FINISH/COLOR MUST BE SPECIFIED WHEN ORDERING
++SUPPLIED AS A PAIR



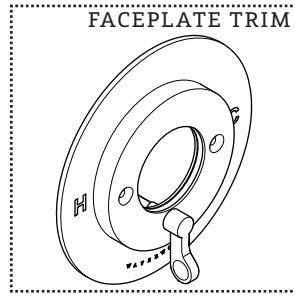
ESTB. 1978

WATERWORKS

KIT COMPONENTS

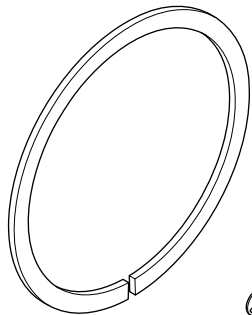
STYLES: HNPB10, HNPB30

103743*



FACEPLATE TRIM

FOAM GASKET



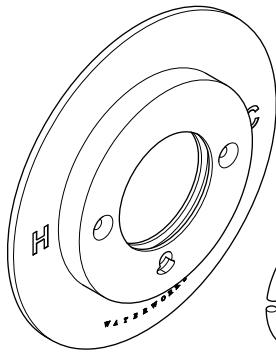
CLIP



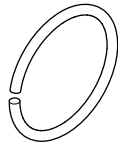
PLASTIC WASHER



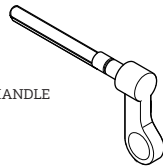
TRIM PLATE



O-RING CORD



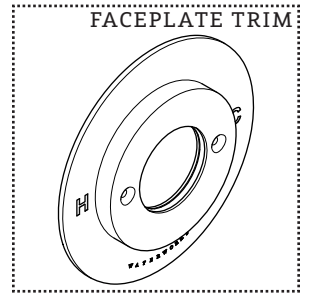
DIVERTER HANDLE



*FINISH/COLOR MUST BE SPECIFIED WHEN ORDERING
++SUPPLIED AS A PAIR

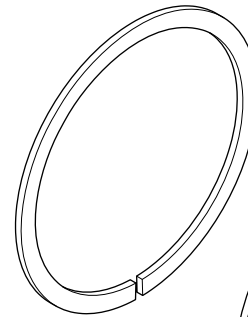
KIT COMPONENTS

103747*

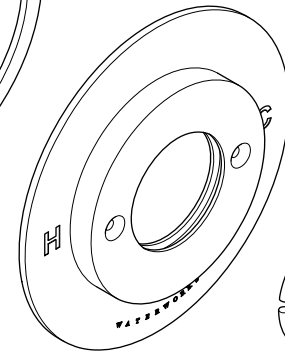


FACEPLATE TRIM

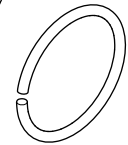
FOAM GASKET



TRIM PLATE



O-RING CORD





ESTB. 1978

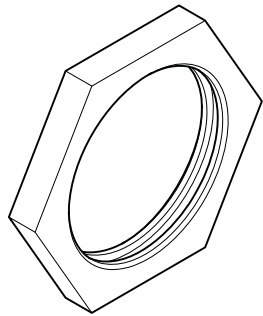
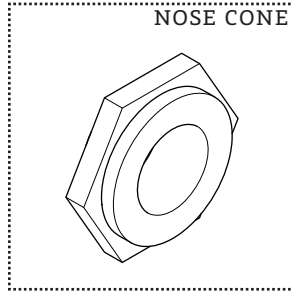
WATERWORKS

KIT COMPONENTS

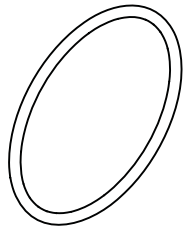
STYLES: HNPB10, HNPB30

103951*

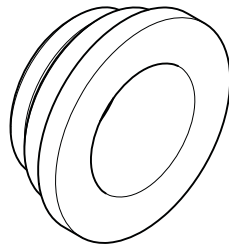
NOSE CONE



HEX COLLAR



O-RING



KNURLED COLLAR

*FINISH/COLOR MUST BE SPECIFIED WHEN ORDERING
++SUPPLIED AS A PAIR

KIT COMPONENTS

103745*

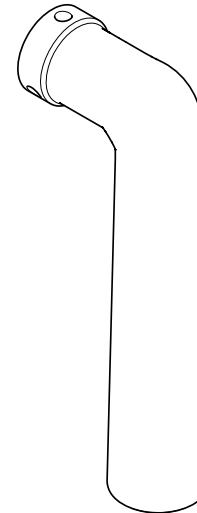
LEVER HANDLE



SET SCREW



HANDLE



SET SCREW



103746

FASTENING SET SCREW





ESTB. 1978

W A T E R W O R K S

SERVICE PARTS INDEX

| <u>STYLE</u> | <u>DESCRIPTION</u> | <u>PG</u> |
|--------------|---------------------|-----------|
| 103747* | FACEPLATE TRIM | 5 |
| 103743* | FACEPLATE TRIM | 4 |
| 103746 | FASTENING SET SCREW | 7 |
| 103744* | GLAND COVER | 3 |
| 103745* | LEVER HANDLE | 7 |
| 103951* | NOSE CONE | 6 |
| 103568* | TRIM SCREW | 2 |

STYLES: HNPB10, HNPB30

*FINISH/COLOR MUST BE SPECIFIED WHEN ORDERING
++SUPPLIED AS A PAIR

NOTES

DOCUMENT: SPHN09_REV01



ESTB. 1978

WATERWORKS

PRODUCT SUPPORT

60 BACKUS AVENUE
DANBURY, CT 06810

1 (800) 927-2120 (EXT 2)

WWW.WATERWORKS.COM