

UNIVERSAL

Universal Classic Air Gap

UNAG01



SHOWN IN UNIVERSAL CLASSIC AIR GAP | UNAG01

TECHNICAL DETAILS

INSPIRATION

Featuring enduring designs that complement any Waterworks element, this collection spans fittings to accessories, bringing exquisite proportion and balance to any environment.

CODES & STANDARDS

PRODUCT FEATURES

Ideal for preventing wastewater from flowing between sink drain into dishwasher

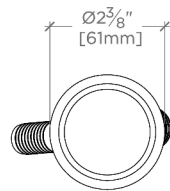
Includes Air Gap Body

Classic Design coordinates seamlessly with our Kitchen Faucet Collections

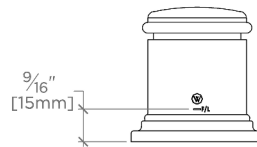
Stocked in Chrome, Nickel, Brass, and Dark Nickel

CERTIFICATIONS

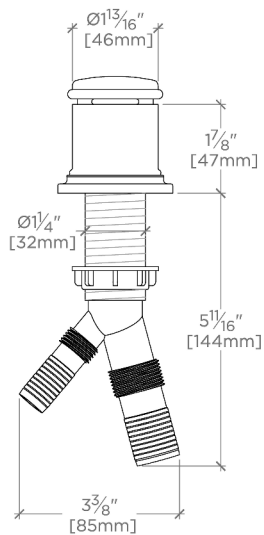
PRODUCT (NOTES)



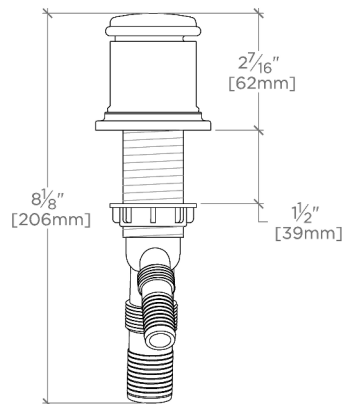
TOP VIEW SCALE: 3"=1'-0"



BACK VIEW NOT TO SCALE



FRONT VIEW SCALE: 3"=1'-0"



SIDE VIEW SCALE: 3"=1'-0"