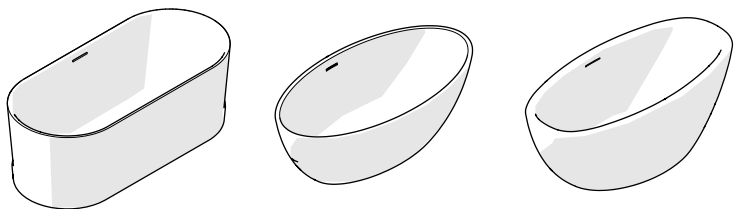


INSTALLATION GUIDELINES

FREESTANDING BATHTUB

ARCOS OR ARCATA OR STYLI FREESTANDING BATHTUB



STYLES		
ARBT70	ATBT65	STBT66

IMPORTANT:

- Immediately after receiving the BATHTUB and removal of packing, you **MUST** inspect the unit for freight damage. Any claims for damage, whether apparent or hidden, must be made to the carrier immediately in order for them to assume all associated costs. Should inspection reveal any defect in the finish, do **NOT** install the BATHTUB. Damage or defect to the finish claimed after the BATHTUB is installed is excluded from the warranty. The warranty **DOES NOT** cover labor or materials to remove or reinstall the BATHTUB.
- To ensure this product is installed properly, you must read and follow these guidelines.
- The owner/user of this product must keep this information for future reference.
- All final connections are made below the finished floor. Accessibility below the finished floor is recommended.
- For installations where access from below the finished floor is limited, i.e. slabs, the SLIP JOINT GASKET supplied with the Universal Waste and Overflow Drain with Tailpiece (SOLD SEPARATELY) is required. For installations that have access from below the finished floor, TRAP ADAPTERS (not provided) can be used instead of the SLIP JOINT GASKET provided with the DRAIN.
- This product must be installed by a professional licensed contractor. Be sure your installation conforms to all federal, state, and local codes.
- Inspect this product to ensure it is the correct model and you have all the parts required for proper installation.
- Adequate floor support is required. Ensure the BATHTUB is properly supported by the base.
- Take all necessary precautions to ensure the BATHTUB is protected during installation.

- The use of certain plumber's putty may stain stone or tile surfaces.
- If further assistance is required, please contact Product Support at 1-800-927-2120 Monday through Friday, 8am - 6pm EST.

WARNING: The following basic safety precautions should always be followed when using your BATHTUB.

- Caution should always be exercised when entering or leaving the BATHTUB.
- **DANGER:** To reduce the risk of injury, do **NOT** permit children or persons with a disability to use the BATHTUB without closer supervision.
- Keep all electrical appliances such as radios and hairdryers a safe distance from the BATHTUB.
- Do **NOT** use the BATHTUB when sleepy or drowsy, under the influence of alcohol or prescription medications, or when overheated.

TECHNICAL DETAILS:

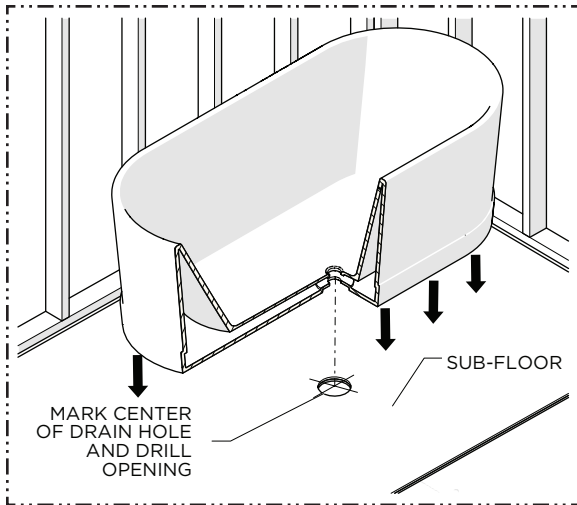
DETAIL	SPECIFICATION BY STYLE		
	ARBT70	ATBT65	STBT66
BATHING WELL SITTING ANGLE	118°	115°	120°
BOTTOM ANGLE/PITCH	1.7°	1.2°	1°
DEPTH TO OVERFLOW	19" [483mm]	14-3/4" [375mm]	18" [457mm]
DRAIN HOLE DEPTH	2" [51mm]	2" [51mm]	2" [51mm]
DRAIN HOLE DIAMETER	2" [51mm]	2" [51mm]	2" [51mm]
DRILLING OPTION	NONE	NONE	NONE
OVERFLOW HOLE DIAMETER	5" x 1/4" [SLOTTED HOLE]	5" x 1/4" [SLOTTED HOLE]	5" x 1/4" [SLOTTED HOLE]
PRIMARY MATERIAL	FIBERGLASS	SOLID SURFACE	ACRYLIC
SINGLE OR DOUBLE ENDED	DOUBLE ENDED	DOUBLE ENDED	DOUBLE ENDED
WATER CAPACITY	95 GAL [360 L]	80 GAL [303 L]	68 GAL [257 L]
WEIGHT (DRY)	190 lbs [86 kg]	325 lbs [148 kg]	260 lbs [118 kg]
WEIGHT (FILLED)	1000 lbs [454 kg]	1000 lbs [454 Kg]	830 lbs [377 kg]

REQUIRED PLUMBING DETAILS:

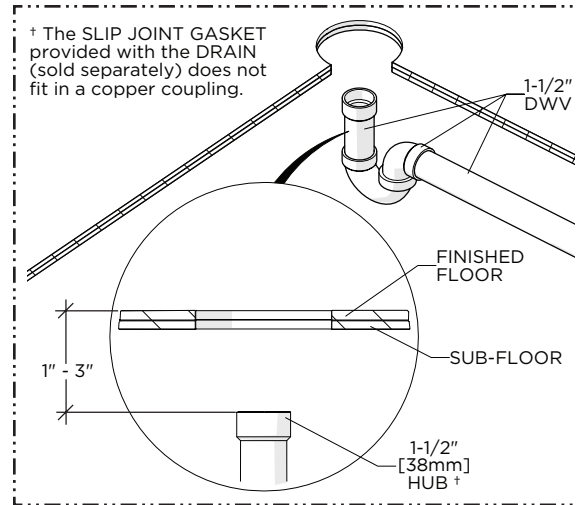
STYLE	DESCRIPTION
UNWO15	Universal Push Touch Waste and Overflow Drain with Tailpiece

INSTALLATION GUIDELINES

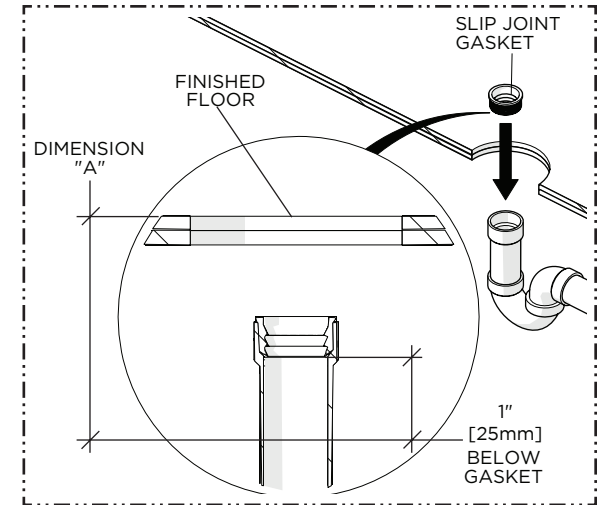
FREESTANDING BATHTUB



1. Determine the placement of the BATHTUB and mark the location of the drain hole then drill a hole through the floor to accommodate the DRAIN (SOLD SEPARATELY).

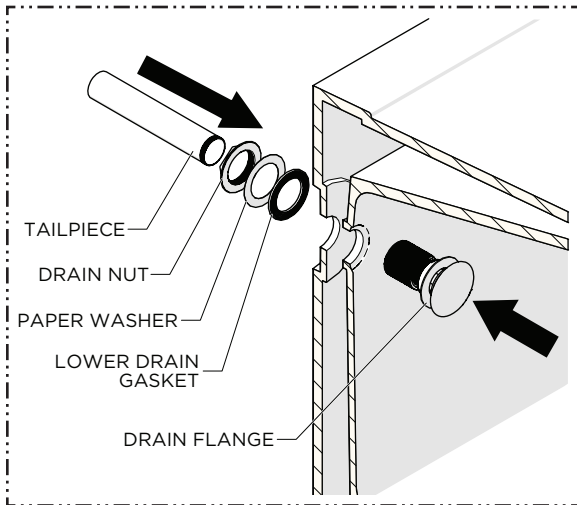


2. Rough-in a 1-1/2" [38mm] DWV (not supplied). The top of the HUB must be 1"-3" [25mm-76mm] from the finished floor in order for the TAILPIECE to be securely installed. Ensure all DWV pipes and fittings are well supported to eliminate the possibility of shifting.

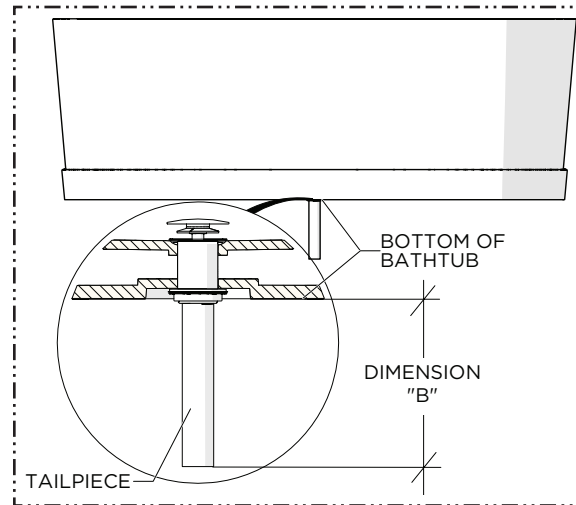


3. Insert the SLIP JOINT GASKET into the HUB then measure from the finished floor to 1" [25mm] past the bottom of the GASKET.

DIMENSION A: _____

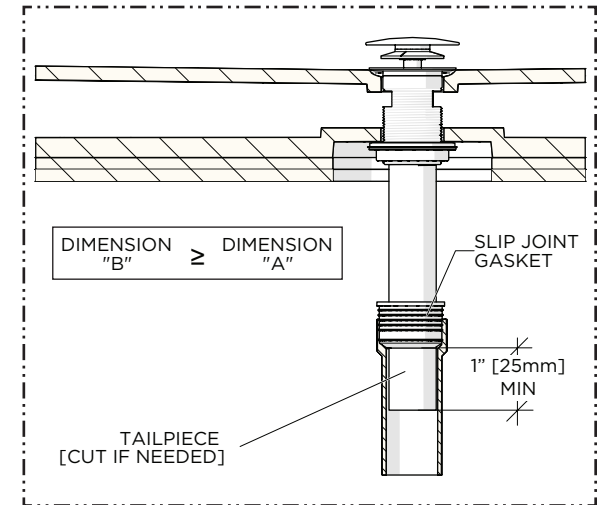


4. Cover the floor with a pad or other protective material and gently rest the BATHTUB on its side then dry-fit the DRAIN (UNWO15 is shown - SOLD SEPARATELY).



5. Measure the distance the TAILPIECE protrudes past the bottom of the BATHTUB.

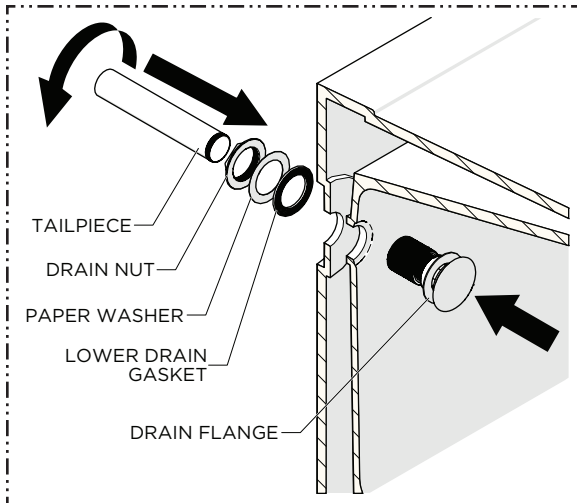
DIMENSION B: _____



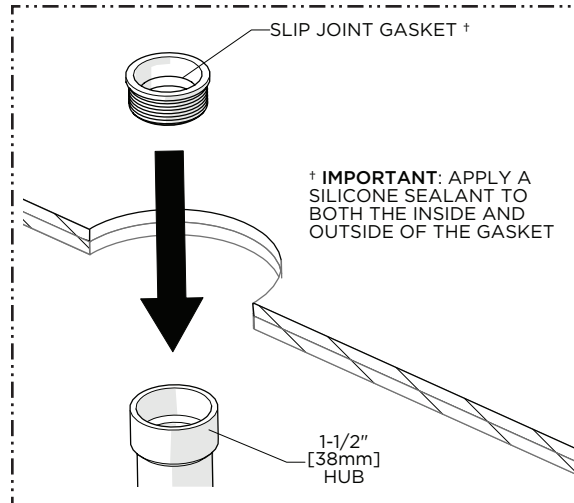
6. **IMPORTANT:** Verify DIMENSION B is greater than or equal to DIMENSION A. This will ensure that the TAILPIECE will extend a MINIMUM of 1" [25mm] past the SLIP JOINT GASKET. If necessary, cut the TAILPIECE.

INSTALLATION GUIDELINES

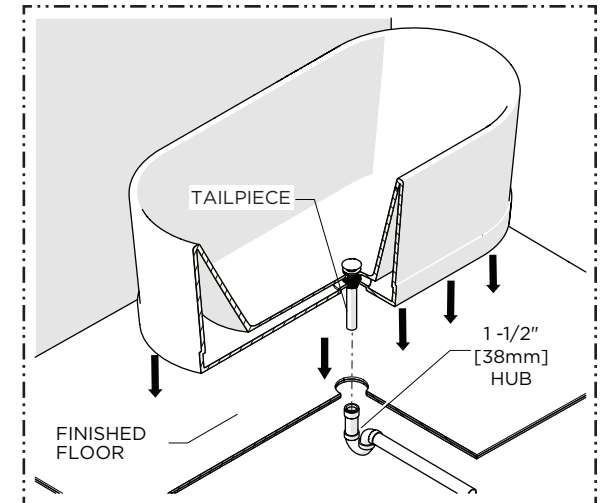
FREESTANDING BATHTUB



7. Apply a generous amount of putty or clear adhesive silicone to the underside of the DRAIN FLANGE and LOWER DRAIN GASKET then set the FLANGE into the TUB and attach the GASKET. Apply Teflon thread sealant to the FLANGE and TAILPIECE threads then attach the PAPER WASHER, DRAIN NUT, and TAILPIECE and securely tighten the NUT.

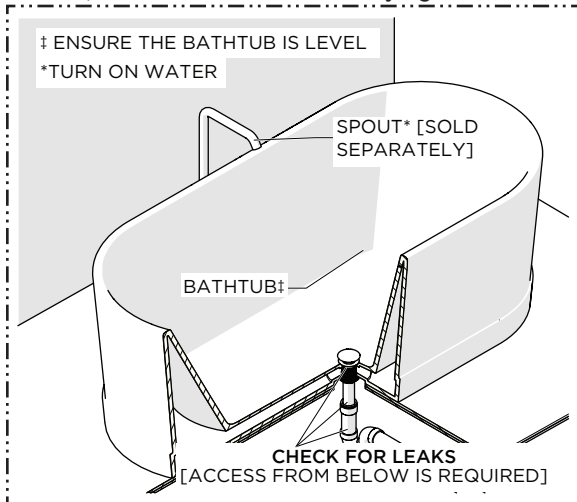


8. Apply a generous coating of silicone sealant to both the inside and outside of SLIP JOINT GASKET and insert the GASKET into the HUB.



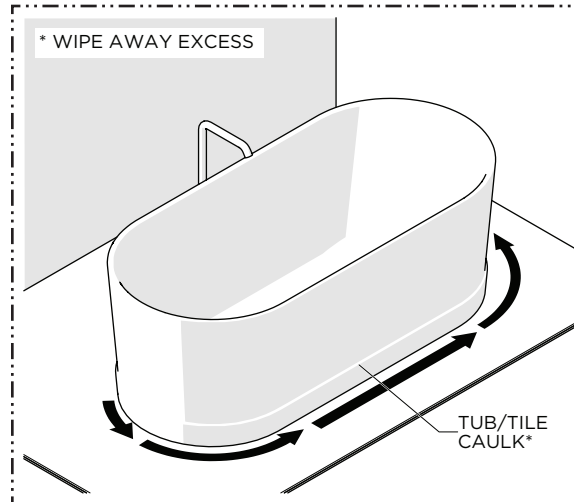
9. Move the BATHTUB into position and align the TAILPIECE with the HUB then carefully lower the BATHTUB until it fully rests on the finished floor.

NOTE: The silicone will first act as a lubricant, then as a seal after it cures.

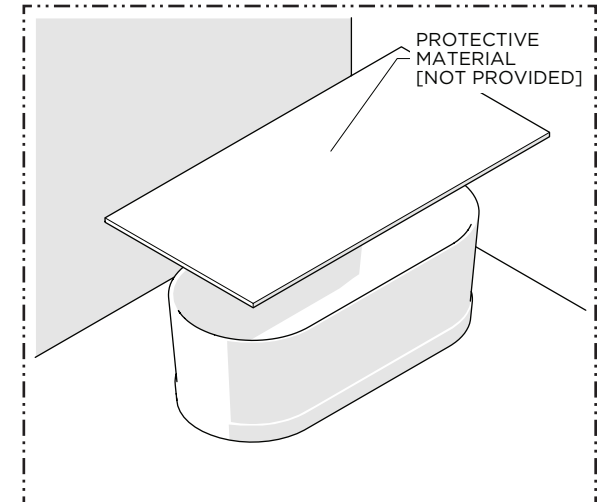


10. Verify the BATHTUB is level and, if needed, add shims then fill the BATHTUB until water enters the overflow hole. Drain the BATHTUB while inspecting all connections above and below the finished floor for leaks.

NOTE: Access from below is required.



11. Run a bead of tub and tile caulk around the bottom edge of the BATHTUB where it meets the finished floor; wipe away any excess caulk with a wet paper towel.



12. Cover the BATHTUB surface with a liner or other protective material (NOT PROVIDED) until construction is completed.