

REGULATOR

RGXT40

Regulator Exposed Deck Mounted Tub Filler with Handshower and Two-Tone Wheel Handles (Less Unions)



SHOWN IN REGULATOR EXPOSED DECK MOUNTED TUB FILLER WITH HANDSHOWER AND TWO-TONE WHEEL HANDLES (LESS UNIONS) | RGXT40

TECHNICAL DETAILS

ADA Compliance: No
 Adjustable Versus Fixed Spray: Fixed
 Deck Thickness Maximum: 2 1/2"
 Deck Thickness Minimum: 1/4"
 Depth/Width: 11 13/16"
 Fittings Hole Diameter: 1 3/8"
 Flow Restriction Options: 2.5, 2.0, 1.75, 1.5, 0.92
 Handle Turn Angle: Quarter Turn
 Handshower Spray Hose Length: 59"
 Height: 19 7/8"
 Inlet Connection Size: 3/4"
 Inlet Connection Type: Male BSPP
 Inlet Supply Spread Maximum: 8"
 Inlet Supply Spread Minimum: 8"
 Integrated Diverter: Y
 Integrated Spray: Y
 Length: 12 3/8"
 Primary Material: Brass
 Restricted Maximum Flow Rate: 1.75 gpm
 Suggested Application: Bath
 Water Pressure Maximum: 85.0 psi
 Water Pressure Minimum: 20.0 psi
 Water Pressure Recommended: 45.0 psi

INSPIRATION

A play on industrial controls from the early 1900s, when pride was lavished on parts. Translated to handcrafted, fittings project rugged beauty through powerful, detailed shapes.

CODES & STANDARDS

RGXT40-F.RX, ASME A112.18.1/CSA B125.1, Waterworks Handshowers use check valves compliant to ASME A112.18.3 for backflow protection. CEC, State of MA

PRODUCT FEATURES

Two-Tone Wheel Handles

Requires Unions Sold Separately

Handshower Offers a Fixed Spray Pattern

Stocked in Nickel/Matte Black and Brass/Matte Black

Unrestricted Flow for Tub Spout. Handshower Available in 1.75gpm (4.5L/min) Flow Rate

CERTIFICATIONS



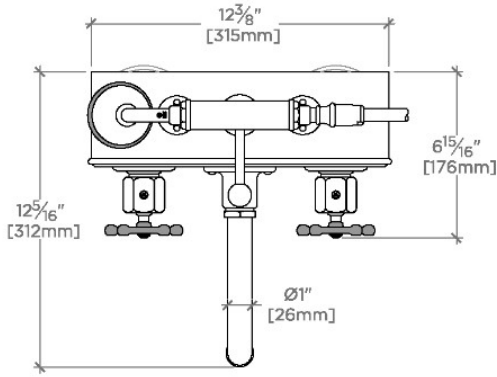
PRODUCT (NOTES)

WATERWORKS

REGULATOR

RGXT40

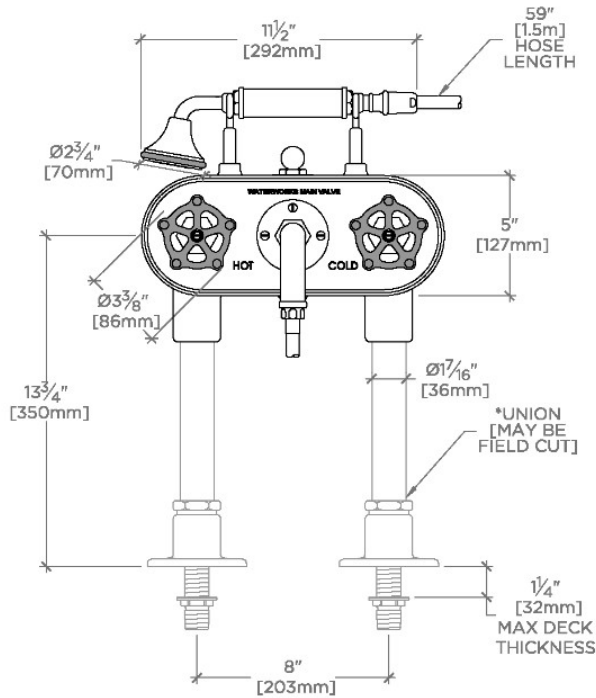
Regulator Exposed Deck Mounted Tub Filler with Handshower and Two-Tone Wheel Handles (Less Unions)



TOP VIEW

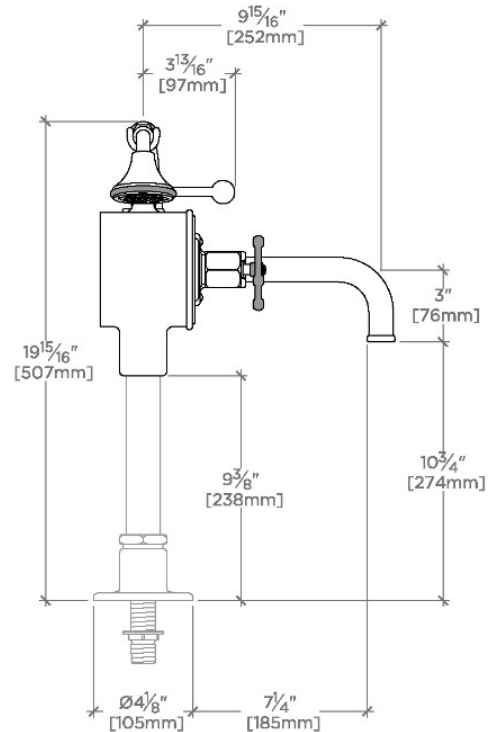
SCALE: 1 1/2"=1'-0"

*NOTE: REQUIRED DECK UNIONS ARE SOLD SEPARATELY



FRONT VIEW

SCALE: 1 1/2"=1'-0"



SIDE VIEW

SCALE: 1 1/2"=1'-0"