

LUDLOW

LD70LS

Ludlow Wall Mounted Low Profile Lavatory Faucet with Metal Lever Handles and Valve



SHOWN IN LUDLOW LOW PROFILE THREE HOLE WALL MOUNTED LAVATORY FAUCET WITH METAL LEVER HANDLES AND

TECHNICAL DETAILS

ADA Compliance: Yes
 Control Valve Rough-in Depth Maximum: 140 mm
 Control Valve Rough-in Depth Minimum: 67 mm
 Drain Assembly Materials: Brass
 Drain Depth Maximum: 51 mm
 Drain Style: Euro Push Touch
 Escutcheon Primary Material: Brass
 Fittings Hole Diameter: 35 mm
 Flow Restriction Options: 1.0, 1.2, 1.5, 1.75, 2.2
 Handle Spread Maximum: 203 mm
 Handle Spread Minimum: 203 mm
 Handle Turn Angle: Quarter Turn
 Drain Depth Minimum: 6 mm
 Height: 102 mm
 Inlet Connection Size: 1/2"
 Inlet Connection Type: Female BSPP
 Inlet Supply Spread Maximum: 203 mm
 Inlet Supply Spread Minimum: 203 mm
 Length: 381 mm
 Number of Holes: Three Hole
 Primary Material: Brass
 Restricted Maximum Flow Rate: 4.5 liters/min
 Valve Material: Brass, Ceramic
 Water Pressure Maximum: 5.5 bar
 Water Pressure Minimum: 1.5 bar
 Water Pressure Recommended: 3.0 bar

INSPIRATION

A touch of classic Americana. Our fresh take on iconic industrial design has clean lines and dimensional details, including exposed screws and square plates.

PRODUCT FEATURES

Push touch USA style drain included.

This item is stocked in a Chrome, Nickel and Unlacquered Brass finishes.

Lever Handles

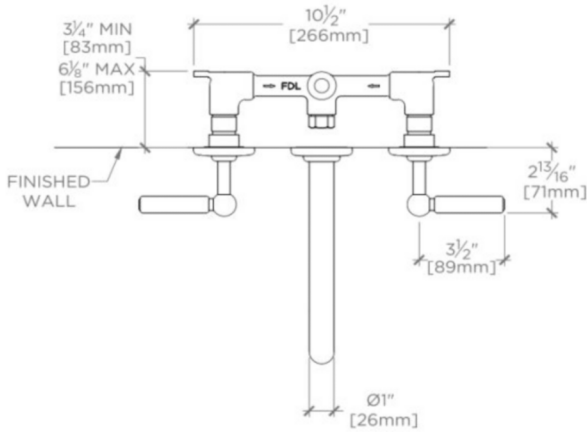
Standard flow rate is 1.2gpm (4.5 L/min) and meets State of California requirements. Also available in other flow options. Contact a sales associate for details.

WATERWORKS

LUDLOW

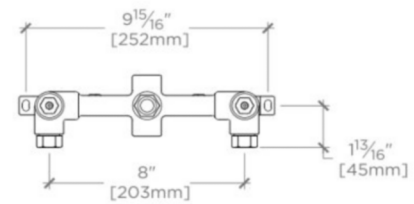
LD70LS

Ludlow Wall Mounted Low Profile Lavatory Faucet with Metal Lever Handles and Valve



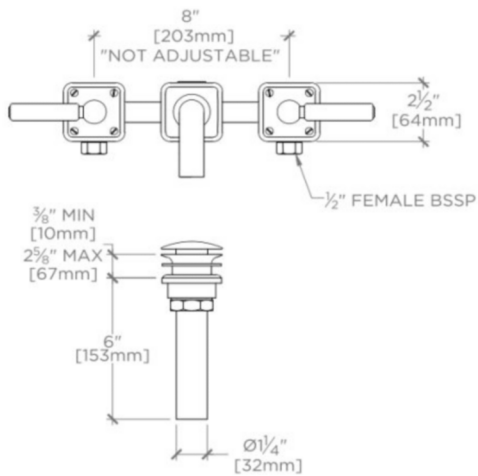
TOP VIEW

SCALE: 1 1/2"=1'-0"



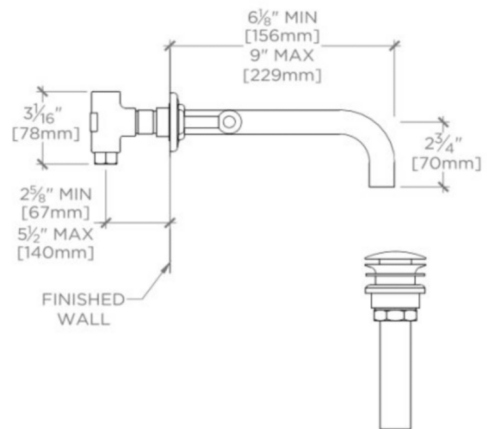
VALVE FRONT VIEW

SCALE: 1 1/2"=1'-0"



FRONT VIEW

SCALE: 1 1/2"=1'-0"



SIDE VIEW

SCALE: 1 1/2"=1'-0"