

NILO

NIBT70

Nilo 70" x 34" x 24" Freestanding Bathtub



SHOWN IN NILO 70" X 34" X 24" FREESTANDING BATHTUB | NIBT70

TECHNICAL DETAILS

Adjustable Levelers Feet: N
 Assembly Configuration: One Piece
 Bathing Type: Bathing and Soaking
 Bathing Well Sitting Angle: 110 degree_angle
 Depth To Overflow: 15 7/8"
 Depth/Width: 33 7/8"
 Drain Hole Depth: 2"
 Drain Hole Diameter: 2"
 Drilling Option: None
 Fitting Hole Configuration Number: None
 Height: 24 3/16"
 Installation Type: Freestanding
 Item Weight Filled: 864.0 pounds
 Length: 70"
 Overflow Hole Diameter: 1 7/8"
 Overflow Opening: Yes
 Primary Material: Fiberglass
 Single Or Double Ended: Double Ended
 Suggested Application: Bath

INSPIRATION

Modeled after iconic vintage designs, this freestanding bathtub marries traditional '40s glamour with a modern, pared-down aesthetic. A generous bathing well and gentle curves invites relaxation.

CODES & STANDARDS

cUL Model Number: 7034; CSA B45.5/IAPMO Z124

PRODUCT FEATURES

Our Nilo tub is made of composite material.

Thermal insulation helps maintain water temperature

The interior and exterior are hand finished.

CERTIFICATIONS



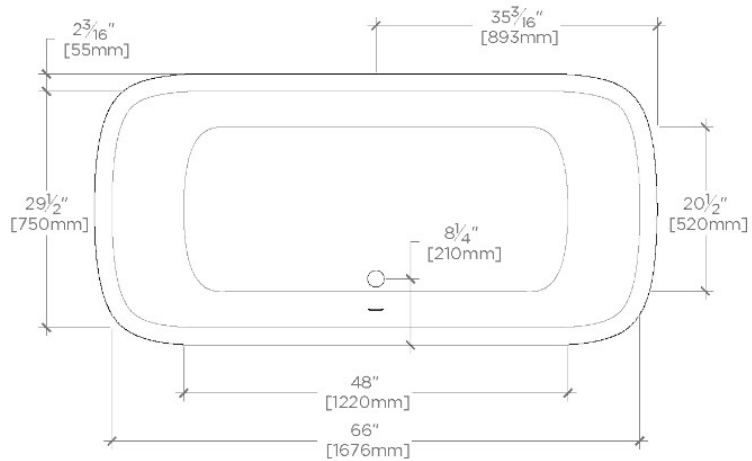
PRODUCT (NOTES)

WATERWORKS

NILO

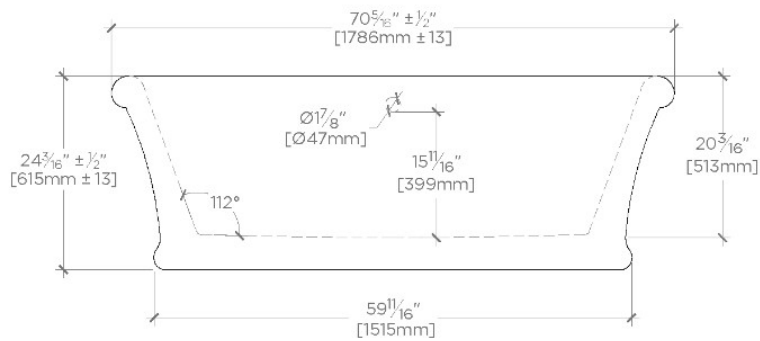
NIBT70

Nilo 70" x 34" x 24" Freestanding Bathtub



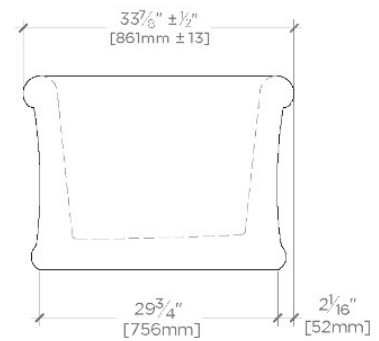
TOP VIEW

SCALE: 1/2"=1'-0"



FRONT VIEW

SCALE: 1/2"=1'-0"



SIDE VIEW

SCALE: 1/2"=1'-0"