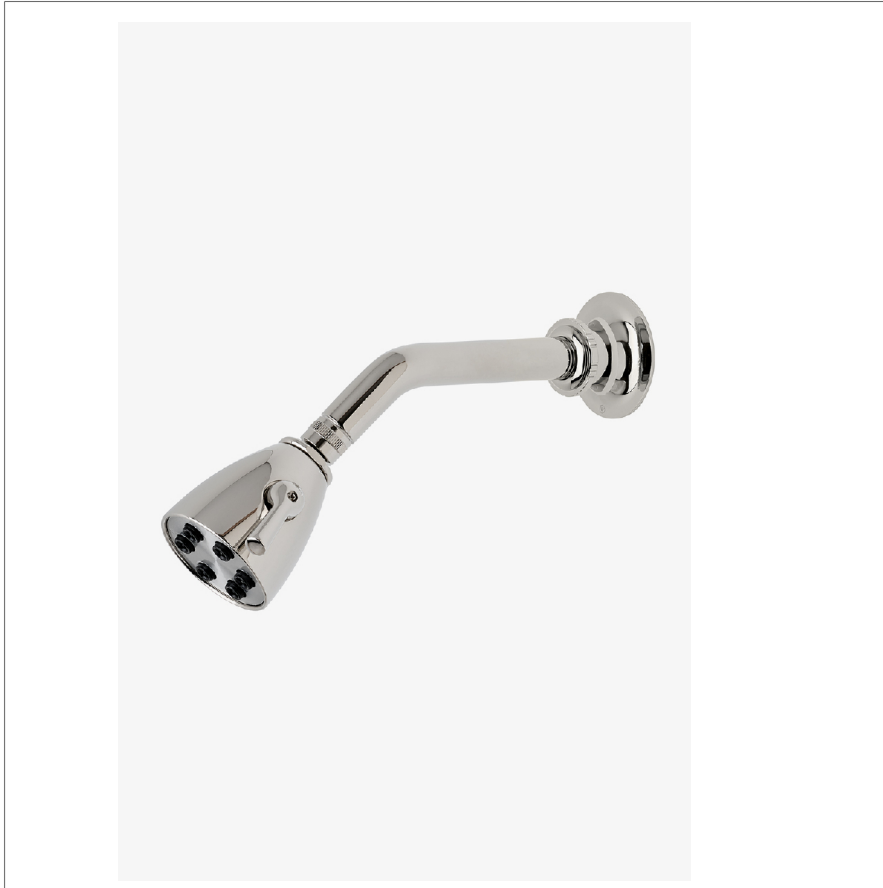


Henry Chronos

CNS335

Henry Chronos 2 3/4" Showerhead with Adjustable Spray with 8" Wall Mounted 45 Degree Shower Arm



SHOWN IN HENRY CHRONOS 2 3/4" SHOWERHEAD WITH ADJUSTABLE SPRAY WITH 8" WALL MOUNTED 45 DEGREE SHOWER ARM | CNS335

TECHNICAL DETAILS

Fittings Hole Diameter: 35 mm
 Flow Restriction Options: 1.5, 1.75, 2.0
 Inlet Connection Size: 1/2"
 Inlet Connection Type: Male NPT
 Pivot: Y
 Restricted Maximum Flow Rate: 6.6 liters/min
 Water Pressure Maximum: 6.0 bar
 Water Pressure Minimum: 1.5 bar
 Water Pressure Recommended: 3.0 bar

INSPIRATION

Inspired by dive watches, Henry Chronos radiates design prowess and technical precision. Chronos retains the design integrity of our original, iconic Henry collection, while imbuing it with modern details and exquisite materials.

CODES & STANDARDS

CNS335X, ASME A112.18.1/CSA B125.1, CEC(1.5GPM & 1.75GPM Only), WaterSense(1.5GPM, 1.75GPM & 2.0GPM Only), DOE, State of MA

PRODUCT FEATURES

- Made of Brass
- Features a swivel 2 3/4" showerhead with two adjustable spray patterns
- Includes a 8" wall mounted 45 degree shower arm
- Stocked in Brass, Chrome and Nickel
- Showerhead available in 1.75gpm (6.6L/min) flow rate

CERTIFICATIONS



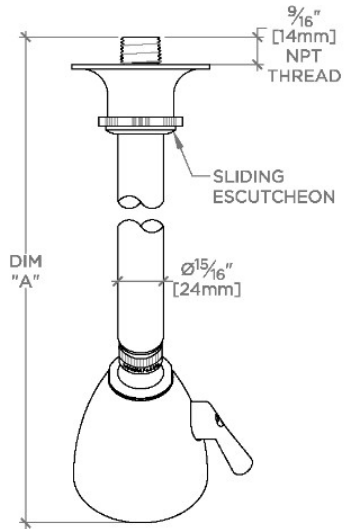
PRODUCT (NOTES)

WATERWORKS

Henry Chronos

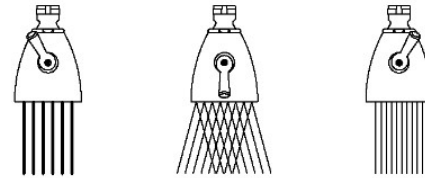
CNS335

Henry Chronos 2 3/4" Showerhead with Adjustable Spray with 8" Wall Mounted 45 Degree Shower Arm

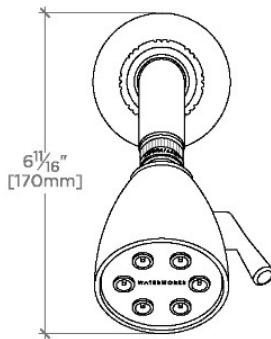


TOP VIEW SCALE: 3"=1'-0"

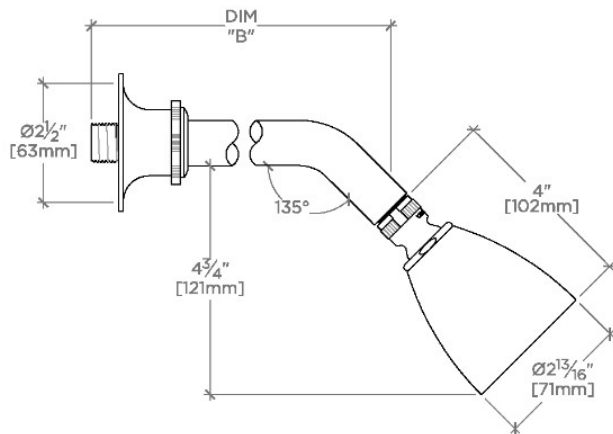
STYLE NO.	DIM "A"	DIM "B"
CNS334	10 1/16" [256mm]	6 3/4" [158mm]
CNS335	12 1/16" [307mm]	8 1/4" [209mm]



SPRAY PATTERNS



FRONT VIEW SCALE: 3"=1'-0"



SIDE VIEW SCALE: 3"=1'-0"