

VIAWORKS

GUTH72

ViaWorks 1/2" Thermostatic Valve with Integrated Two Way Diverter with Shutoff Valve



SHOWN IN VIAWORKS 1/2" THERMOSTATIC VALVE WITH INTEGRATED TWO WAY DIVERTER WITH SHUTOFF VALVE | GUTH72

TECHNICAL DETAILS

Fittings Hole Diameter: 3"
 Inlet Connection Size: 1/2"
 Inlet Connection Type: Male NPT
 Outlet Connection Size: 1/2"
 Outlet Connection Type: Male NPT
 Primary Material: Brass
 Valve Material: Wax Element/Ceramic
 Water Pressure Maximum: 85.0 psi
 Water Pressure Minimum: 20.0 psi
 Water Pressure Recommended: 45.0 psi

INSPIRATION

The ViaWorks collection encompasses all Waterworks valves, which are just as impeccably engineered as our legendary fittings and the finest the industry has to offer in terms of performance, features and functionality. ViaWorks valves are engineered with more than three generations of bath and kitchen expertise, each with installers and lifelong service in mind.

CODES & STANDARDS

ASME A112.18.1/CSA B125.1, Complies with ASSE 1016/ASME A112.1016/CSA B125.16, State of MA

PRODUCT FEATURES

Integrated anti-scald protection.

1/2" NPT Connections

6 gpm (gallons per minute) unrestricted maximum flow at 60 psi

Flows water to up to two shower components simultaneously

Made in Europe of Brass Construction

CERTIFICATIONS



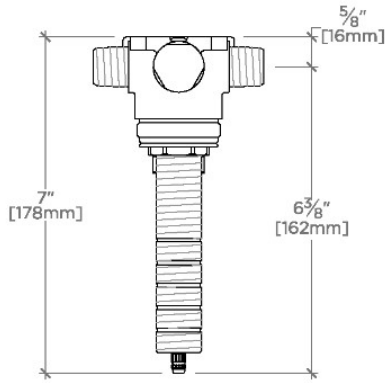
PRODUCT (NOTES)

WATERWORKS

VIAWORKS

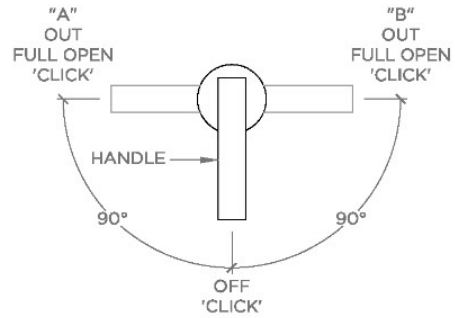
GUTH72

ViaWorks 1/2" Thermostatic Valve with Integrated Two Way Diverter with Shutoff Valve

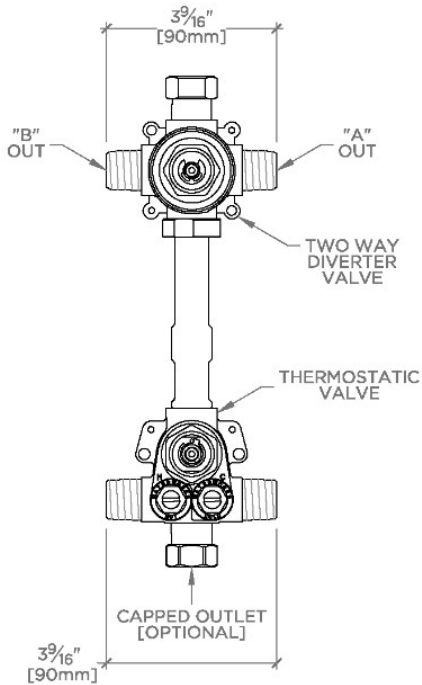


TOP VIEW

SCALE: 3"=1'-0"

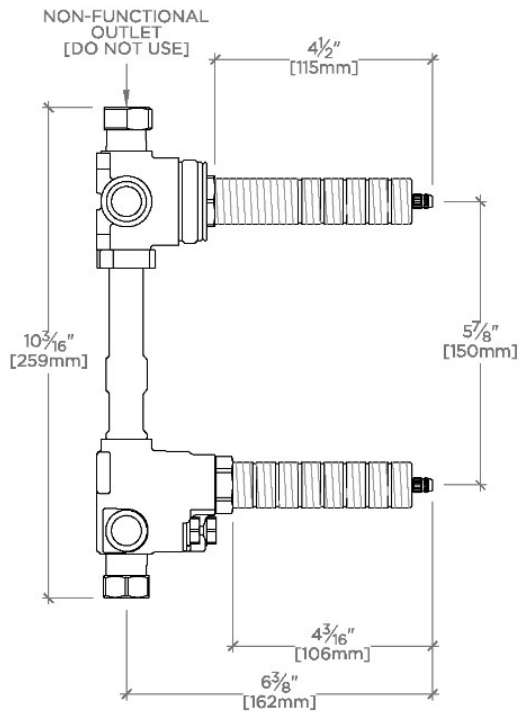


TWO WAY DIVERTER VALVE OPERATION



FRONT VIEW

SCALE: 3"=1'-0"



SIDE VIEW

SCALE: 3"=1'-0"