

Saxby

SALV27

Saxby Drop In or Undermount Oval Double Glazed Vitreous China Lavatory Sink 18 7/8" x 16 1/8" x 7 11/16"



SHOWN IN SAXBY DROP IN OR UNDERMOUNT OVAL DOUBLE GLAZED VITREOUS CHINA LAVATORY SINK 18 7/8" X 16 1/8" X 7 11/16" | SALV27

TECHNICAL DETAILS

ADA Compliance: When installed per ADA guidelines
 Bowl Shape: Oval
 Depth/Width: 410 mm
 Height: 195 mm
 Installation Type: Undermount
 Length: 479 mm
 Number Of Holes: Two Hole
 Outer Rim Shape: Oval
 Primary Material: Vitreous China
 Suggested Application: Bath

INSPIRATION

Our Saxby collection is traditional but never outdated and evokes elegance in any room.

CODES & STANDARDS

Code # SALV27: ASME A112.19.2, CSA B45, IAPMO, State of MA

PRODUCT FEATURES

The Saxby lavatory is made of vitreous china, which produces a strong, non porous, high gloss product

The lavatory can be installed either as an overmount or an undermount application

All our Saxby sinks are manufactured in the United States

CERTIFICATIONS



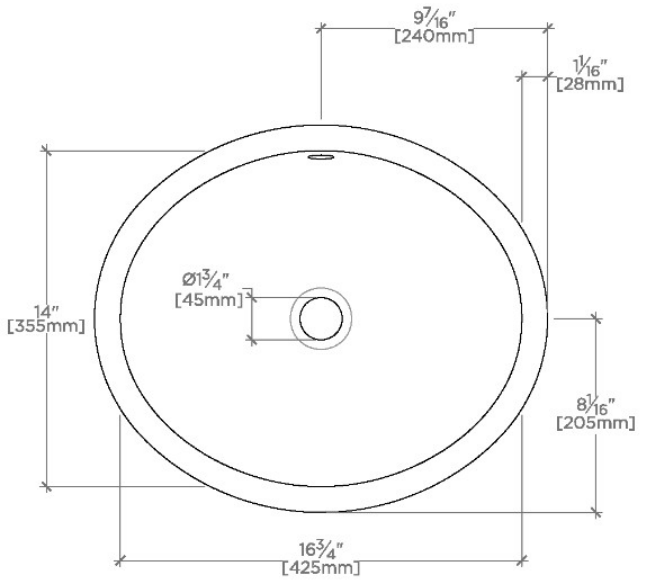
PRODUCT (NOTES)

Dimensions of sinks are nominal and are subject to slight variations.

Saxby

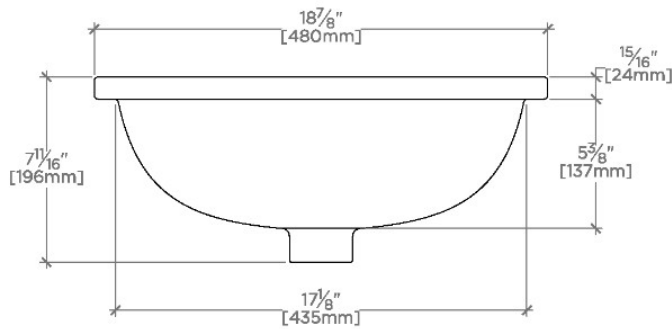
SALV27

Saxby Drop In or Undermount Oval Double Glazed Vitreous China Lavatory Sink 18 7/8" x 16 1/8" x 7 11/16"



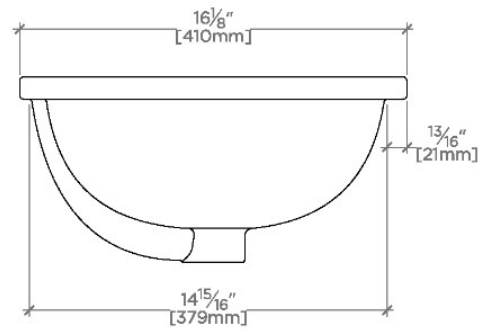
TOP VIEW

SCALE: 1 1/2"=1'-0"



FRONT VIEW

SCALE: 1 1/2"=1'-0"



SIDE VIEW

SCALE: 1 1/2"=1'-0"