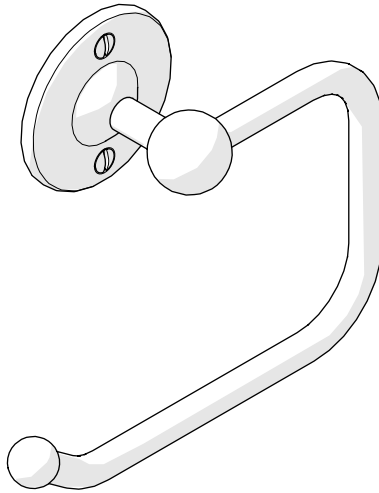


# INSTALLATION GUIDELINES

## PAPER HOLDER

# WATERWORKS

### HIGHGATE PAPER HOLDER



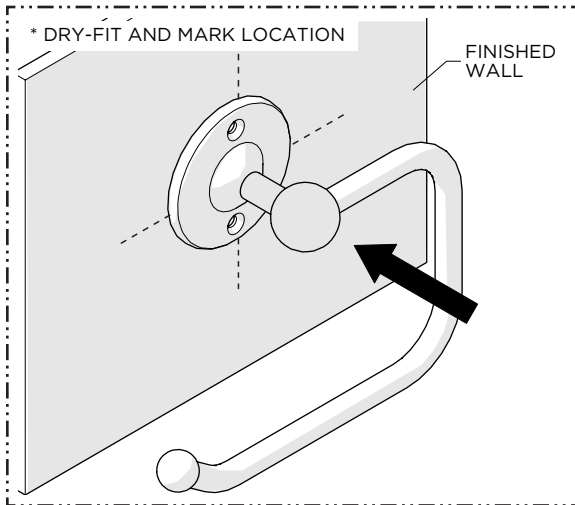
STYLE
HGPH31

### IMPORTANT

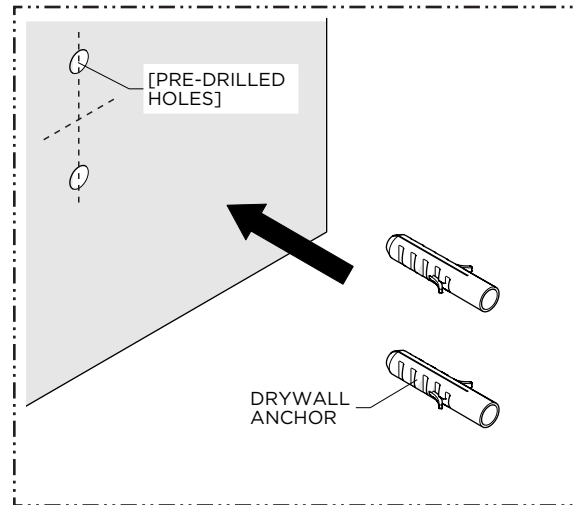
- To ensure this product is installed properly, you must read and follow these guidelines.
- The owner/user of this product must keep this information for further reference.
- This product must be installed by a professional licensed contractor. Inspect this product to ensure you have all the parts required for proper installation.
- DRYWALL ANCHORS for a typical drywall installation are provided. Do NOT use the ANCHORS if mounting directly onto wood blocking or a stud. To avoid damaging the product, do NOT use power tools during installation.
- If further assistance is required, please contact Product Support at 1-800-927-2120 Monday through Friday, 8am - 6pm EST.

### TECHNICAL DETAILS:

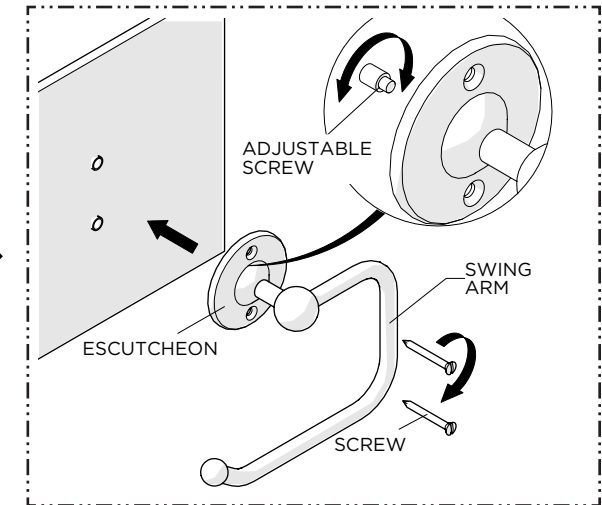
DETAIL	SPECIFICATION
PRIMARY MATERIAL	BRASS



1. Dry-fit the product to the finished wall and mark the ideal location for installation.



2. Using the previous marks as a reference, install the ANCHORS provided.



3. Secure the ESCUTCHEON using the SCREWS provided.

**NOTE:** If needed, use the SCREW behind the ESCUTCHEON to adjust the SWING ARM.