

## Easton

EALS49

Easton Classic Low Profile Three Hole Wall Mounted Lavatory Faucet with Elongated Spout and Black Porcelain Lever Handles



SHOWN IN EASTON CLASSIC LOW PROFILE THREE HOLE WALL MOUNTED LAVATORY FAUCET WITH ELONGATED SPOUT AND BLACK PORCELAIN LEVER HANDLES | EALS49

### INSPIRATION

Drawing on Edwardian style, Easton is the most extensive Waterworks family; a range of moods and a selection of products from fittings to furniture.

### PRODUCT FEATURES

Available in 1.2gpm (4.5L/min) flow rate

### TECHNICAL DETAILS

ADA Compliance: Yes  
 Adjustable Versus Fixed Spray: Fixed Spray  
 Drain Assembly Materials: Brass  
 Drain Depth Maximum: 70 mm  
 Drain Depth Minimum: 25 mm  
 Drain Hole Diameter: 44 mm  
 Fittings Hole Diameter: 35 mm  
 Flow Restriction Options: 1.2  
 Handle Spread Maximum: 203 mm  
 Handle Spread Minimum: 203 mm  
 Handle Turn Angle: Quarter Turn  
 Index Color Finish And Material: White Porcelain  
 Inlet Connection Size: 1/2"  
 Inlet Connection Type: Male NPT  
 Inlet Supply Spread Maximum: 203 mm  
 Inlet Supply Spread Minimum: 203 mm  
 Installation Type: Wall Mounted  
 Number Of Holes: Three Hole  
 Primary Material: Brass  
 Restricted Maximum Flow Rate: 4.5 liters/min  
 Spout Swivel: N  
 Suggested Application: Bath  
 Valve Material: Ceramic  
 Water Pressure Maximum: 6.0 bar  
 Water Pressure Minimum: 1.5 bar  
 Water Pressure Recommended: 3.0 bar

### CODES & STANDARDS

EALS49X, NSF/ANSI/CAN 61:Q < 1, NSF/ANSI/CAN 372, ASME A112.18.1/CSA B125.1, CEC, DOE, State of MA

### CERTIFICATIONS



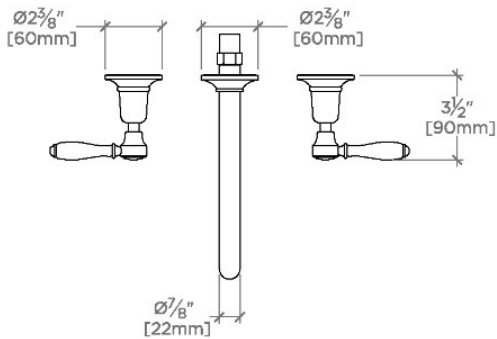
### PRODUCT (NOTES)

Sold with European style drain; USA style drain sold separately for use with non-Waterworks sinks.

## Easton

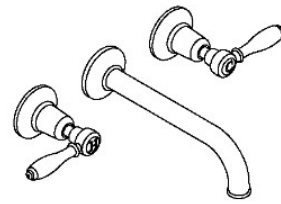
EALS49

Easton Classic Low Profile Three Hole Wall Mounted Lavatory  
Faucet with Elongated Spout and Black Porcelain Lever  
Handles



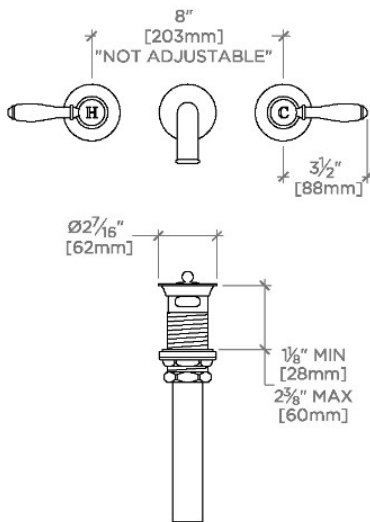
TOP VIEW

SCALE:  $1\frac{1}{2}"=1'-0"$



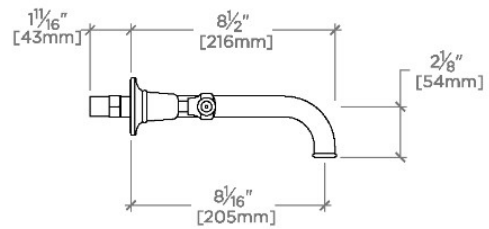
ISO VIEW

SCALE:  $1\frac{1}{2}"=1'-0"$



FRONT VIEW

SCALE:  $1\frac{1}{2}"=1'-0"$



SIDE VIEW

SCALE:  $1\frac{1}{2}"=1'-0"$

