

## ViaWorks

GU71TH

ViaWorks 1/2" Thermostatic Valve with Integrated Volume Control Valve



SHOWN IN VIAWORKS 1/2" THERMOSTATIC VALVE WITH INTEGRATED VOLUME CONTROL VALVE | GU71TH

### TECHNICAL DETAILS

Fittings Hole Diameter: 76 mm  
Inlet Connection Size: 1/2"  
Inlet Connection Type: Male BSPP  
Outlet Connection Size: 1/2"  
Outlet Connection Type: Male G/BSPP  
Primary Material: Brass  
Valve Material: Wax Element/Ceramic  
Water Pressure Maximum: 6.0 bar  
Water Pressure Minimum: 1.5 bar  
Water Pressure Recommended: 3.0 bar

### INSPIRATION

The ViaWorks collection encompasses all Waterworks valves, which are just as impeccably engineered as our legendary fittings and the finest the industry has to offer in terms of performance, features and functionality. ViaWorks valves are engineered with more than three generations of bath and kitchen expertise, each with installers and lifelong service in mind.

### CODES & STANDARDS

### PRODUCT FEATURES

Integrated anti-scald protection.

1/2" NPT Connections

6 gpm (gallons per minute) unrestricted maximum flow at 60 psi

Flows water to up to two shower components simultaneously

Made in Europe of Brass Construction

### CERTIFICATIONS

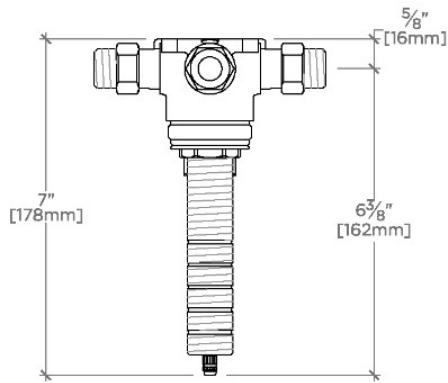
### PRODUCT (NOTES)

# WATERWORKS

## ViaWorks

GU71TH

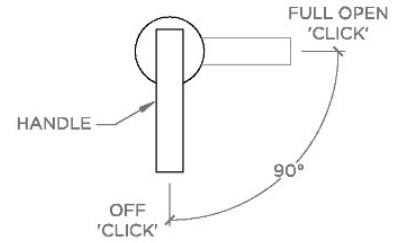
ViaWorks 1/2" Thermostatic Valve with Integrated Volume Control Valve



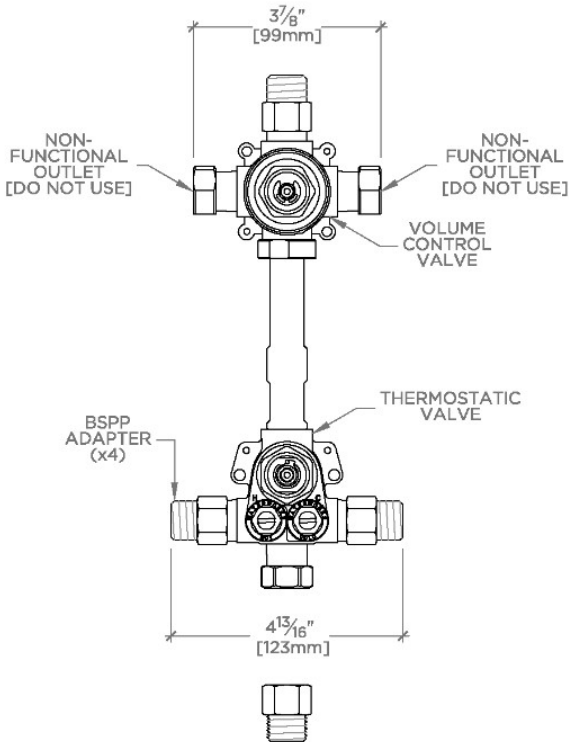
TOP VIEW

SCALE: 3"=1'-0"

ADAPTER(S) PACKAGED SEPARATELY		
ADAPTER	DESCRIPTION	QTY
UNUK03	1/2" NPT Female x 1/2" Male BSPP	4

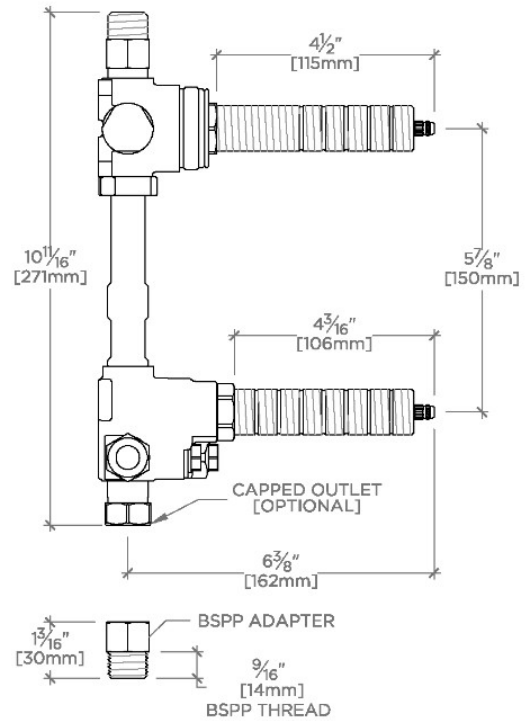


VOLUME CONTROL VALVE OPERATION



FRONT VIEW

SCALE: 3"=1'-0"



SIDE VIEW

SCALE: 3"=1'-0"