

## REGULATOR

RGXT30

Regulator Exposed Wall Mounted Tub Filler with Handshower and Two-Tone Lever Handles



SHOWN IN REGULATOR EXPOSED WALL MOUNTED TUB FILLER WITH HANDSHOWER AND TWO-TONE LEVER HANDLES | RGXT30

### TECHNICAL DETAILS

ADA Compliance: No  
 Adjustable Versus Fixed Spray: Fixed  
 Depth/Width: 11 13/16"  
 Fittings Hole Diameter: 1 3/8"  
 Flow Restriction Options: 2.5, 2.0, 1.75, 1.5, 0.92  
 Handle Turn Angle: Quarter Turn  
 Handshower Spray Hose Length: 59"  
 Height: 12"  
 Inlet Connection Size: 3/4"  
 Inlet Connection Type: Compression  
 Inlet Supply Spread Maximum: 8"  
 Inlet Supply Spread Minimum: 8"  
 Integrated Diverter: Y  
 Integrated Spray: Y  
 Length: 17 3/16"  
 Primary Material: Brass  
 Restricted Maximum Flow Rate: 1.75 gpm  
 Suggested Application: Bath  
 Water Pressure Maximum: 85.0 psi  
 Water Pressure Minimum: 20.0 psi  
 Water Pressure Recommended: 45.0 psi

### INSPIRATION

A play on industrial controls from the early 1900s, when pride was lavished on parts. Translated to handcrafted, fittings project rugged beauty through powerful, detailed shapes.

### CODES & STANDARDS

RGXT30-F.RX, ASME A112.18.1/CSA B125.1, Waterworks Handshowers use check valves compliant to ASME A112.18.3 for backflow protection. CEC, State of MA

### PRODUCT FEATURES

Two-Tone Lever Handles

Handshower Offers a Fixed Spray Pattern

Stocked in Nickel/Matte Black and Brass/Matte Black

Unrestricted Flow for Tub Spout. Handshower Available in 1.75gpm (4.5L/min) Flow Rate

### CERTIFICATIONS

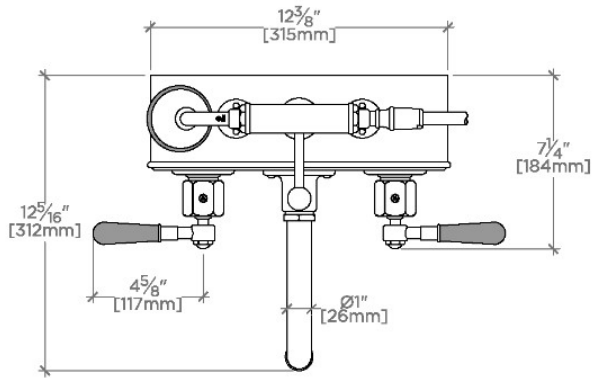


### PRODUCT (NOTES)

## REGULATOR

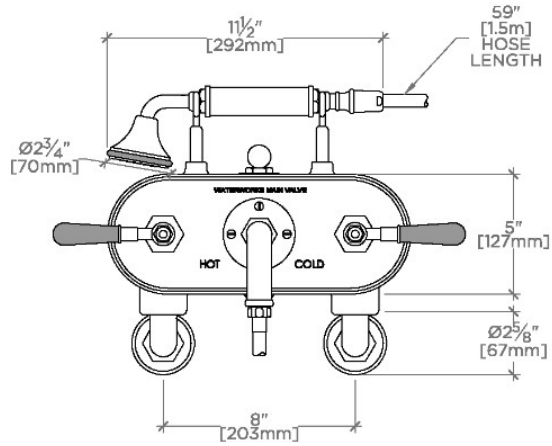
RGXT30

Regulator Exposed Wall Mounted Tub Filler with Handshower and Two-Tone Lever Handles



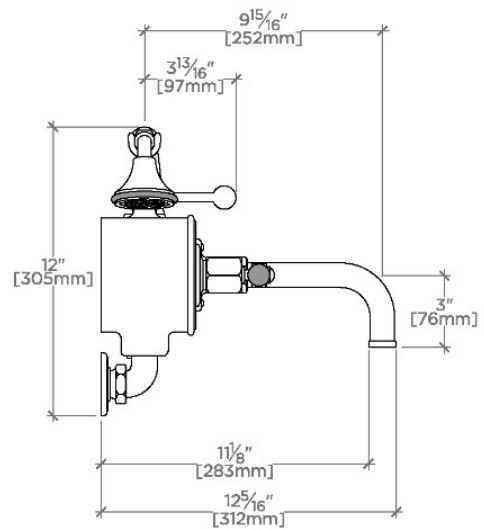
TOP VIEW

SCALE: 1/2"=1'-0"



FRONT VIEW

SCALE: 1/2"=1'-0"



SIDE VIEW

SCALE: 1/2"=1'-0"