

## Bond

BKM22T

Bond Tandem Series Gooseneck Kitchen Faucet and Spray with Teak Lever Handles



SHOWN IN BOND TANDEM SERIES GOOSENECK KITCHEN FAUCET AND SPRAY WITH TEAK LEVER HANDLES | BKM22T

### TECHNICAL DETAILS

ADA Compliance: Yes  
 Deck Thickness Maximum: 37 mm  
 Deck Thickness Minimum: 6 mm  
 Fittings Hole Diameter: 35 mm  
 Handle Turn Angle: Quarter Turn  
 Handshower Spray Hose Length: 1.5 m  
 Inlet Connection Size: 1/2"  
 Inlet Connection Type: Male with Supply Nut  
 Integrated Diverter: Y  
 Restricted Maximum Flow Rate: 6.6 liters/min  
 Spout Swivel: Y  
 Spray Included In Unit: Y  
 Valve Material: Ceramic  
 Water Pressure Maximum: 6.0 bar  
 Water Pressure Minimum: 1.5 bar  
 Water Pressure Recommended: 3.0 bar

### INSPIRATION

Modern designs infused with rare soul and artistry. Explore our wide range of Bond bath and kitchen elements, from fittings to fixtures to hardware.

### CODES & STANDARDS

BKM22TX, NSF/ANSI/CAN 61:Q < 1, NSF/ANSI/CAN 372, ASME A112.18.1/CSA B125.1, CEC, State of MA

### PRODUCT FEATURES

- Lever Handles
- Powerful Side spray with push button activation
- Features Metal combined with Teak Handles
- Stocked in Nickel and Brass
- Available in 1.75gpm (6.6L/min) flow rate

### CERTIFICATIONS



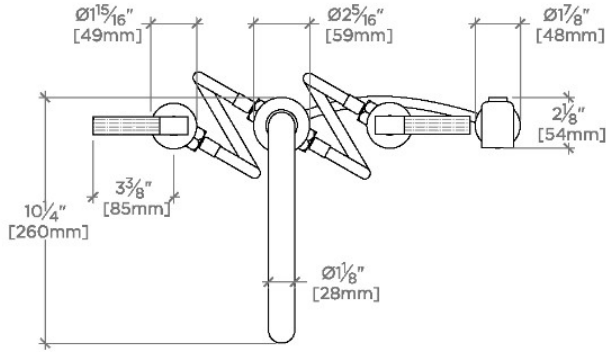
### PRODUCT (NOTES)

# WATERWORKS

## Bond

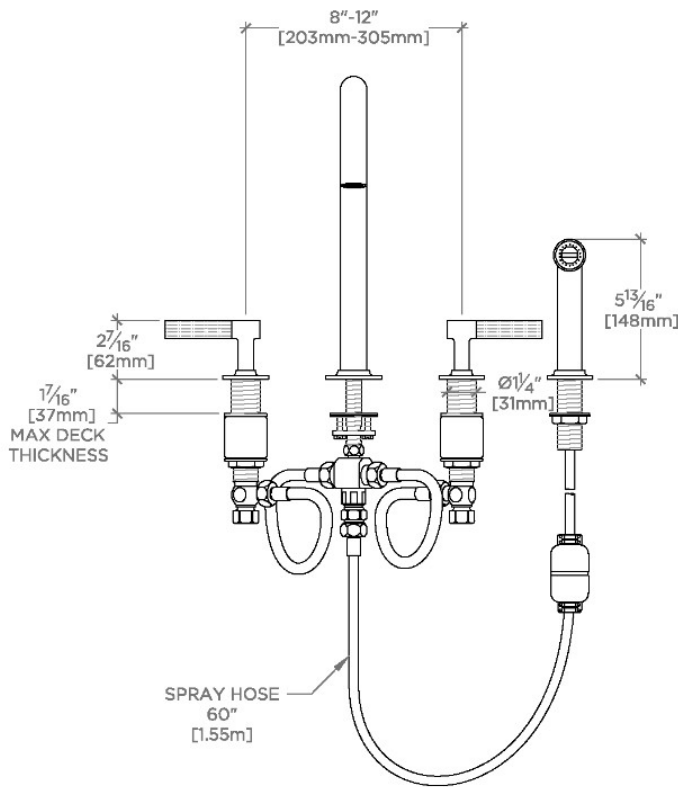
## BKM22T

Bond Tandem Series Gooseneck Kitchen Faucet and Spray  
with Teak Lever Handles



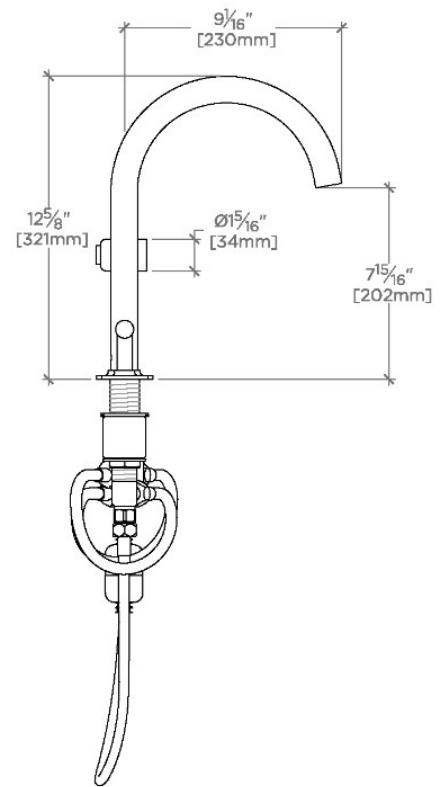
TOP VIEW

SCALE:  $1\frac{1}{2}"=1'-0"$



FRONT VIEW

SCALE:  $1\frac{1}{2}"=1'-0"$



SIDE VIEW

SCALE:  $1\frac{1}{2}"=1'-0"$