

FALLBROOK

Fallbrook 1 3/4" Leather Pull

FKHW02



SHOWN IN FALLBROOK LEATHER HINGED PULL

TECHNICAL DETAILS

Height: 60 mm
Length: 62 mm

INSPIRATION

Recalling a touch of '40s glamour and classic equestrian vibe in its hand-stitched Italian leather and solid hand-polished brass, Fallbrook drop pulls and knobs lend a rich, enduring appeal to modern and transitional rooms.

PRODUCT FEATURES

Fine Italian Leather

Machine-stitched, hand-assembled in Europe

Knobs offered in Tan, Chocolate or Chestnut leather; Pulls offered in Chocolate leather

Includes per fixing: Machine Screw-POSI-Pan Head M4 X 25MM and Machine Screw-POSI-Pan Head M4 X 35MM

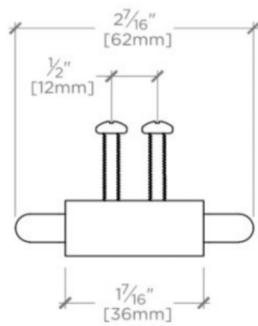
WATERWORKS

FALLBROOK

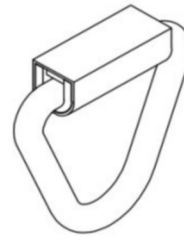
FKHW02

Fallbrook 1 3/4" Leather Pull

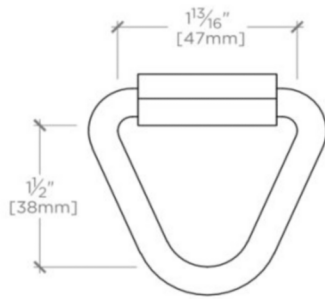
MOUNTING HARDWARE INCLUDED		
STYLE #	DESCRIPTION	QTY
998939	Service Parts Rear Fixing MACHINE SCREW-POSI-PAN HEAD M4 X 25MM	2
998940	Service Parts Rear Fixing MACHINE SCREW-POSI-PAN HEAD M4 X 35MM	2



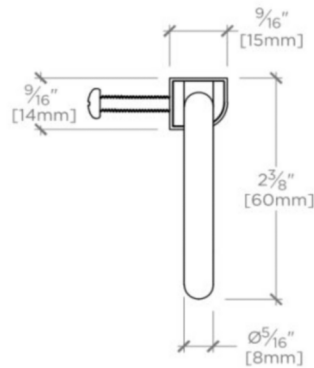
TOP VIEW SCALE: 6"=1'-0"



ISO VIEW SCALE: 6"=1'-0"



FRONT VIEW SCALE: 6"=1'-0"



SIDE VIEW SCALE: 6"=1'-0"