

FORMWORK

FMKM10

Formwork One Hole High Profile Kitchen Faucet, Metal Joystick Handle and Spray



SHOWN IN FORMWORK ONE HOLE HIGH PROFILE KITCHEN FAUCET, METAL JOYSTICK HANDLE AND SPRAY| FMKM10

TECHNICAL DETAILS

Adjustable Shelves: N
Adjustable versus Fixed Spray: Fixed Spray
Escutcheon Primary Material: Brass
Fittings Hole Diameter: 38 mm
Flow Restriction Options: 2.0, 1.75, 1.5
Handle Turn Angle: Quarter Turn Each Way
Handshower / Spray Hose Length: 1.5 m
Depth / Width: 279 mm
Height: 257 mm
Inlet Connection Size: 3/8"
Inlet Connection Type: Compression Adapter
Integrated Diverter: N
Number of Handles: One
Number of Holes: One Hole
Primary Material: Brass
Restricted Maximum Flow Rate: 8.3 liters/min
Spout Swivel: Y
Spray Included in Unit: Y
Suggested Application: Bar, Kitchen, Laundry
Valve Material: Ceramic
Water Pressure Maximum: 6.0 bar
Water Pressure Minimum: 1.5 bar
Water Pressure Recommended: 3.0 bar

INSPIRATION

Sculptural forms that defy the ordinary. Unexpected geometry and the transition of the planes create a subtle but warm expression.

CODES & STANDARDS

Code # FMKM10X: Certified with cUPC, NSF, IAPMO, CSA, CEC

PRODUCT FEATURES

Joystick Handle allows for easy, one-handed operation
Single Hole construction allows for clean, minimalist installations
Standard flow rate is 2.2gpm (8.3 L/min) and State of California requires a maximum of 1.8gpm(6.8 L/min). Also available in other flow options. Contact a sales associate for details.

CERTIFICATIONS

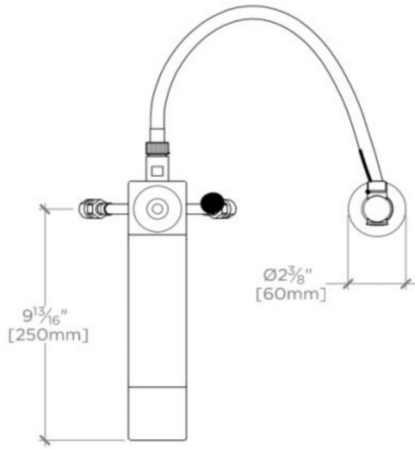


WATERWORKS

FORMWORK

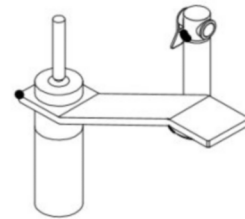
FMKM10

Formwork One Hole High Profile Kitchen Faucet, Metal Joystick Handle and Spray



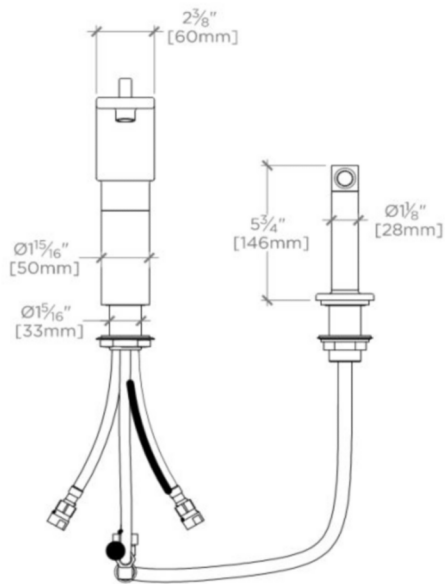
TOP VIEW

SCALE: $1\frac{1}{2}$ "=1'-0"



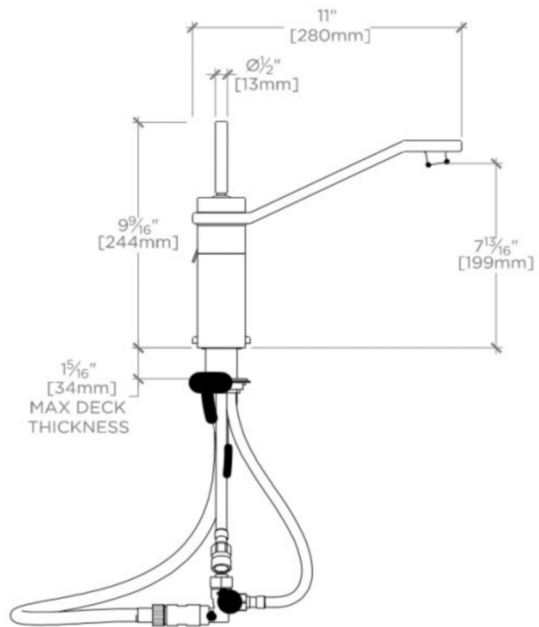
ISO VIEW

SCALE: $1\frac{1}{2}$ "=1'-0"



FRONT VIEW

SCALE: $1\frac{1}{2}$ "=1'-0"



SIDE VIEW

SCALE: $1\frac{1}{2}$ "=1'-0"