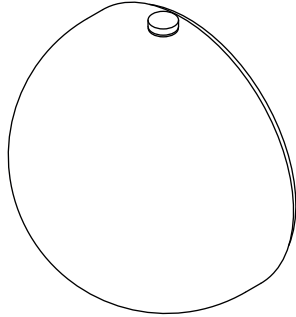


**Style No. CALT04 [CA04LT]**

Wall or Ceiling Small Round Flush Mount with Pulsanti  
Murano Glass Diffuser

**SPECIFICATIONS:**

Junction Box Orientation: Any

Junction Box: Standard octagonal box

Junction Box Size: Standard octagonal box 3-1/2"

Orientation: Wall or Ceiling

Lens Material: Glass

Voltage: 120 [240] Vac

Require Electrical Feeds:

Black "Hot" wire; White "Neutral" wire; Green or Bare  
"Ground" wire

[Brown "Line" wire; Blue "Neutral" wire; Green/Yellow  
Striped or Bare "Earth" wire]

**IMPORTANT:**

- **WARNING:** The power supply must be turned off prior to installation. Turn off the main electrical supply to the junction box from the fuse box/circuit breaker. Turning power off at the switch is not sufficient.
- To ensure this product is installed properly, you must read and follow these guidelines.
- The owner/user of this product must keep this information for future reference.
- CALT04 is U.L. certified and suitable for damp or dry locations. The U.L. listing mark can be found on the inside of the cover plate.
- [CA04LT] is CE rated. Proof of CE compliance will be provided upon request.
- Be sure your installation conforms to all national installation and safety regulations for the installation.
- This product must be installed by a professional licensed electrical contractor.
- Refer to the specification and assembly drawings attached. Product is sold partially assembled but shown fully disassembled for illustrative and service purpose only.

These guidelines have been prepared for the professional contractor to aid in the installation of:  
CAMILLA WALL/CEILING MOUNTED SCONCE (STYLE# CALT04 [CA04LT])  
All dimensions are based on original specification and are subject to change and variation.  
Please consult your Design Associate for current specifications.

WATERWORKS

**CALT04 [CA04LT] INSTALLATION:**

- REQUIRED: Install a 3-1/2" Octagon Box electrical junction box at the desired height.
  - REQUIRED: Use only flat head screws as MOUNTING SCREWS for fixing to junction box.
  - See Figure - 01 for Steps 1.
1. Remove the BODY PLATE from the GLASS DIFFUSER by loosening 2 SET PINS.

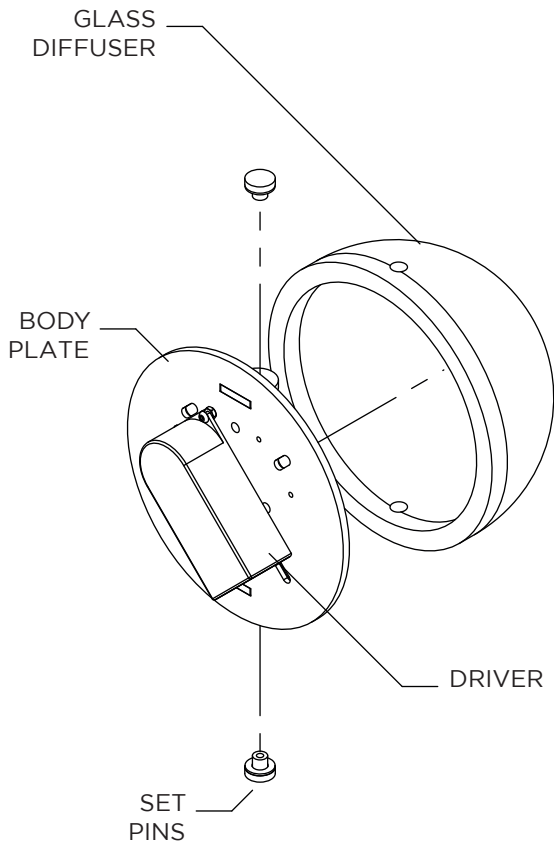


FIGURE - 01

- See Figure - 02 for Steps 2-5.
2. Install the BODYPLATE onto the JUNCTION BOX, by first connecting the copper wire from the plate to the GROUND WIRE from the junction box using a wire nut.
  3. Next, connect the neutral wire from the driver to the neutral wire from the junction box using a wire nut. Tightly wrap the connection with electrical tape beginning 1" [25mm] below the wire nut to ensure the tape seals the end of the nut. Make sure that there are no exposed wires that could cause a short circuit.
  4. Repeat previous step with the hot [line] wires from the DRIVER and JUNCTION BOX. Make sure all connected wires are pushed into the junction box.
  5. Attach the BODY PLATE to the JUNCTION BOX using the MOUNTING SCREWS.

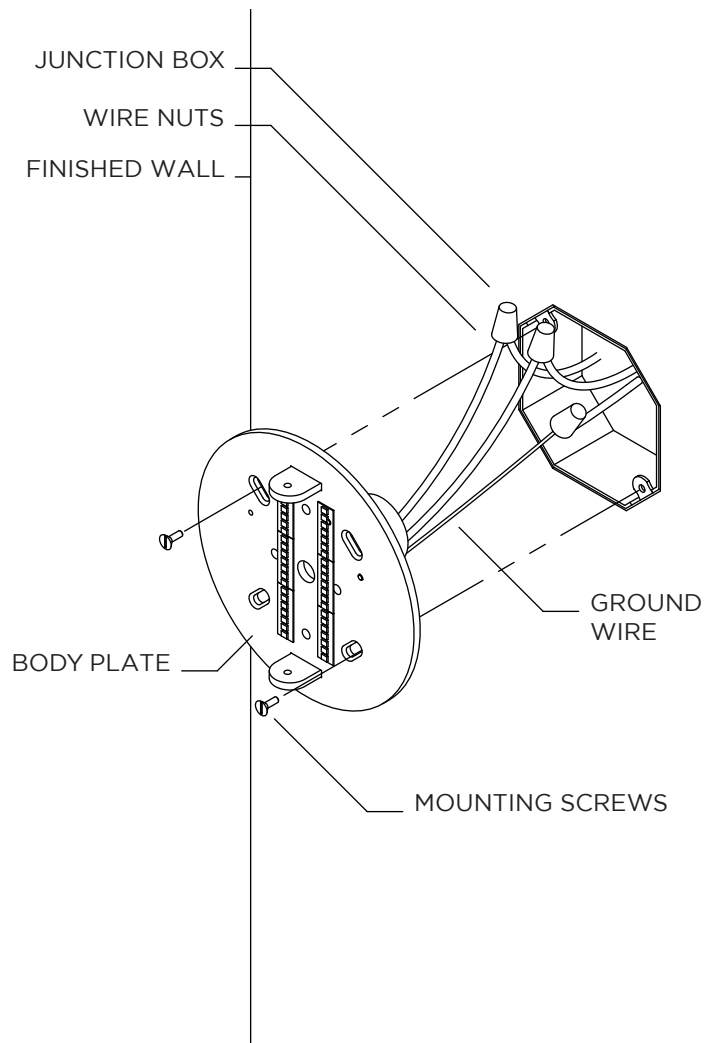


FIGURE - 02

These guidelines have been prepared for the professional contractor to aid in the installation of:  
CAMILLA WALL/CEILING MOUNTED SCONCE (STYLE# CALT04 [CA04LT])  
 All dimensions are based on original specification and are subject to change and variation.  
 Please consult your Design Associate for current specifications.

WATERWORKS

➤ See Figure - 03 for Steps 6-8.

6. Mount the GLASS DIFFUSER onto the BODY PLATE.

7. Tighten the 2 SET PINS until the GLASS DIFFUSER is secure.

8. Restore power to branch circuit.

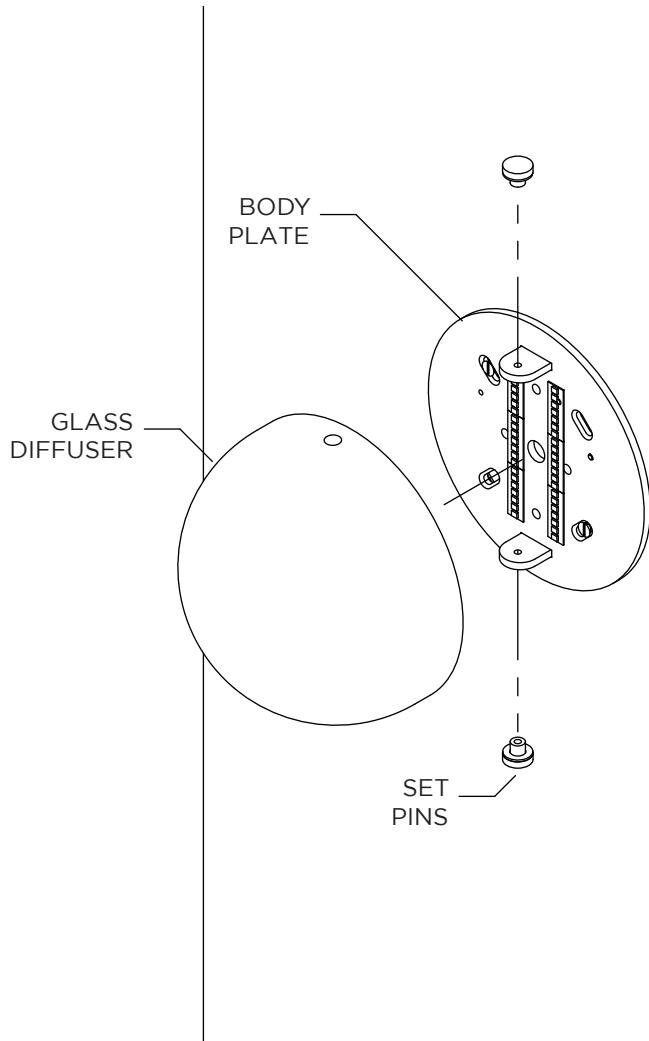


FIGURE - 03

These guidelines have been prepared for the professional contractor to aid in the installation of:  
CAMILLA WALL/CEILING MOUNTED SCONCE (STYLE# CALT04 [CA04LT])  
All dimensions are based on original specification and are subject to change and variation.  
Please consult your Design Associate for current specifications.

WATERWORKS