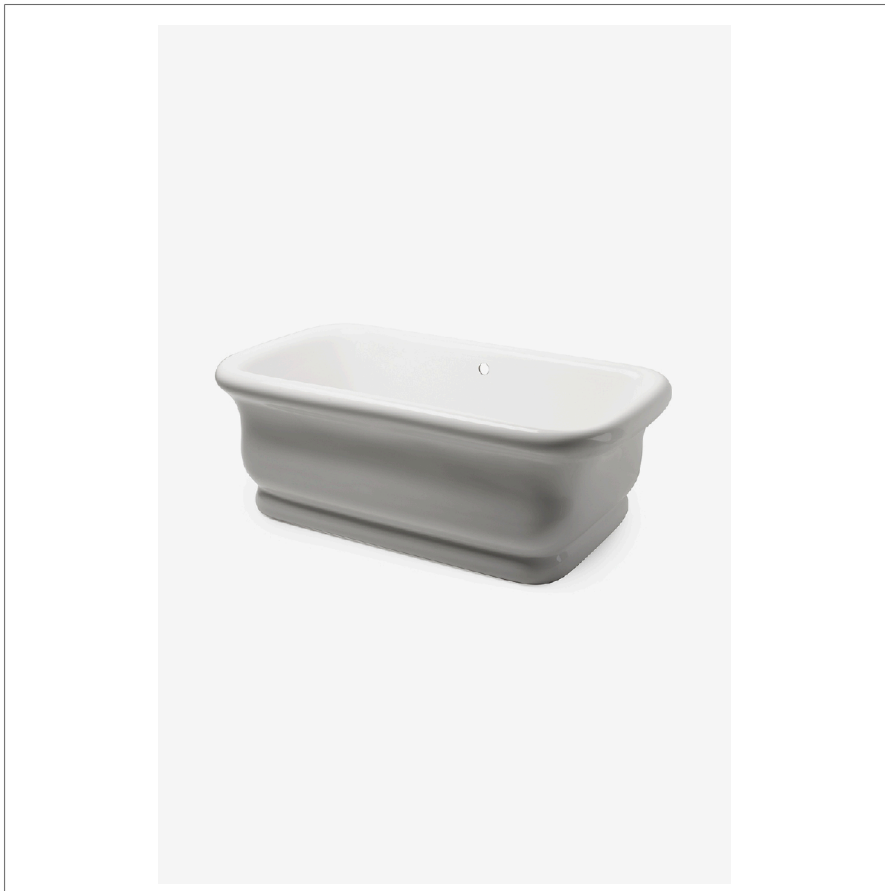


EMPIRE

EMBT10

Empire 59" x 34 1/2" x 24" Freestanding Rectangular Bathtub



SHOWN IN EMPIRE 59" X 34 1/2" X 24" FREESTANDING RECTANGULAR BATHTUB | EMBT10

TECHNICAL DETAILS

ADA Compliance: When installed per ADA guidelines
Depth/Width: 34 7/16"
Height: 24 3/16"
Item Weight Filled: 861.0 pounds
Length: 58 7/8"
Primary Material: Fiberglass
Suggested Application: Bath

INSPIRATION

The Empire collection makes a bold statement; designed as an adaptation of styles popular in England and France during the late 19th century.

CODES & STANDARDS

cUL Model Number: 5935; CSA B45.5/IAPMO Z124

PRODUCT FEATURES

Our Empire tubs are made of composite material

Thermal insulation helps maintain water temperature

CERTIFICATIONS



PRODUCT (NOTES)

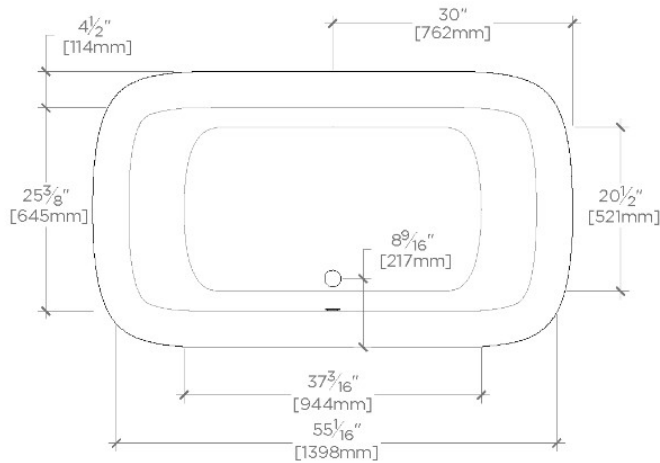
Dimensions of fixtures are nominal. Measure your actual product for rough-in details.

WATERWORKS

EMPIRE

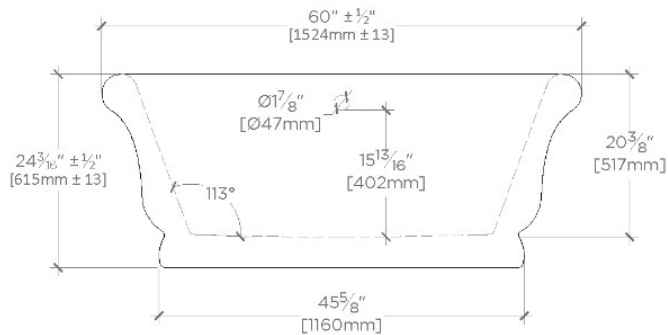
EMBT10

Empire 59" x 34 1/2" x 24" Freestanding Rectangular Bathtub



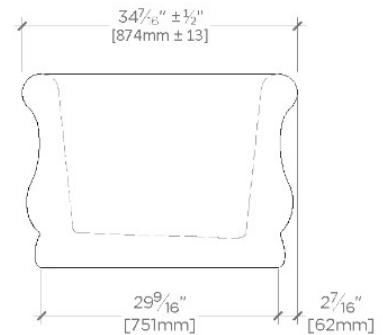
TOP VIEW

SCALE: 1/2"=1'-0"



FRONT VIEW

SCALE: 1/2"=1'-0"



SIDE VIEW

SCALE: 1/2"=1'-0"