

Henry

Henry Single Sided Glass Mounted Hook

HNRHG1



SHOWN IN HENRY SINGLE SIDED GLASS MOUNTED HOOK | HNRHG1

TECHNICAL DETAILS

INSPIRATION

Influenced by the connection of industry and art Henry easily transitions between modern, traditional, utilitarian and classic settings.

CODES & STANDARDS

PRODUCT FEATURES

All Mounting Hardware Included

Solid Brass Construction

Can accommodate glass thickness between 1/4" [6mm] to 3/4" [18mm]

Stocked in Brass, Chrome, Nickel and Dark Nickel

CERTIFICATIONS

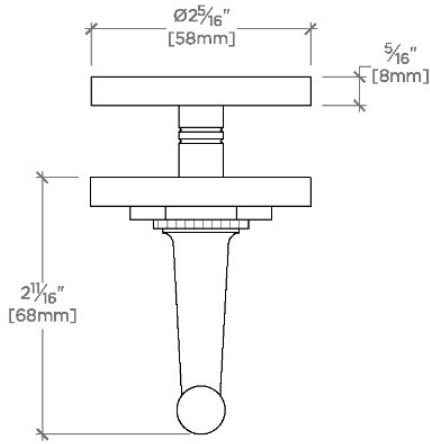
PRODUCT (NOTES)

Henry

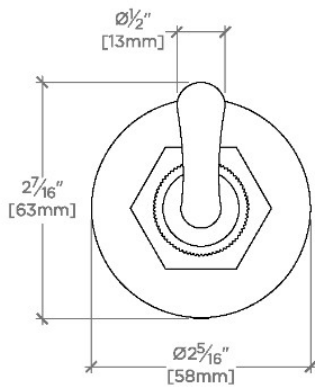
HNRHG1

Henry Single Sided Glass Mounted Hook

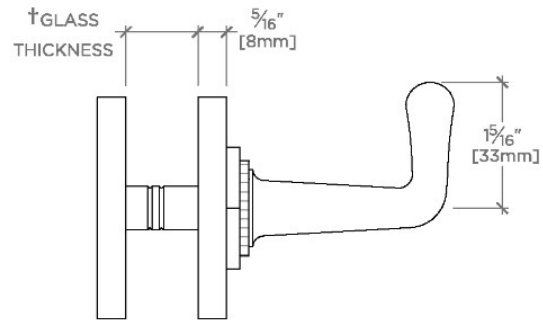
† THIS PRODUCT CAN BE INSTALLED ON GLASS THAT IS
1/4" [6mm], 3/8" [10mm], 1/2" [13mm], OR 3/4" [19mm].



TOP VIEW SCALE: 6"=1'-0"



FRONT VIEW SCALE: 6"=1'-0"



SIDE VIEW SCALE: 6"=1'-0"