

BOND

BKM22B

Bond Tandem Series Gooseneck Kitchen Faucet and Spray with Two-Tone Lever Handles



FILEDESCRIPTION

TECHNICAL DETAILS

Deck Thickness Maximum: 1 7/16"
Deck Thickness Minimum: 1/4"
Fittings Hole Diameter: 1 3/8"
Handle Turn Angle: Quarter Turn
Handshower / Spray Hose Length: 59"
Inlet Connection Size: 1/2"
Inlet Connection Type: Male with Supply Nut
Integrated Diverter: Y
Restricted Maximum Flow Rate: 1.75 gpm
Spout Swivel: Y
Spray Included in Unit: Y
Valve Material: Ceramic
Water Pressure Maximum: 85.0 psi
Water Pressure Minimum: 25.0 psi
Water Pressure Recommended: 45.0 psi

INSPIRATION

Modern designs infused with rare soul and artistry. Explore our wide range of Bond bath and kitchen elements, from fittings to fixtures to hardware.

PRODUCT FEATURES

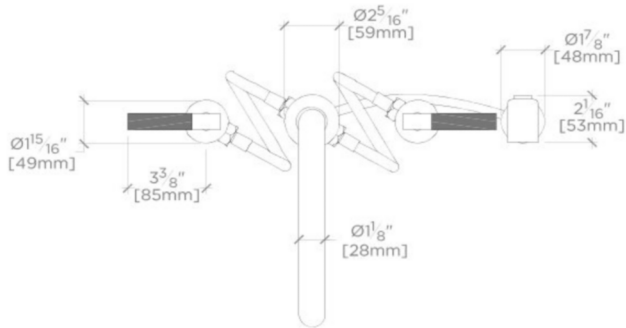
Lever Handles
Powerful Side spray with push button activation
Features Two-Tone Handles
Stocked in Nickel and Brass
Available in 1.75gpm (6.6L/min) flow rate

WATERWORKS

BOND

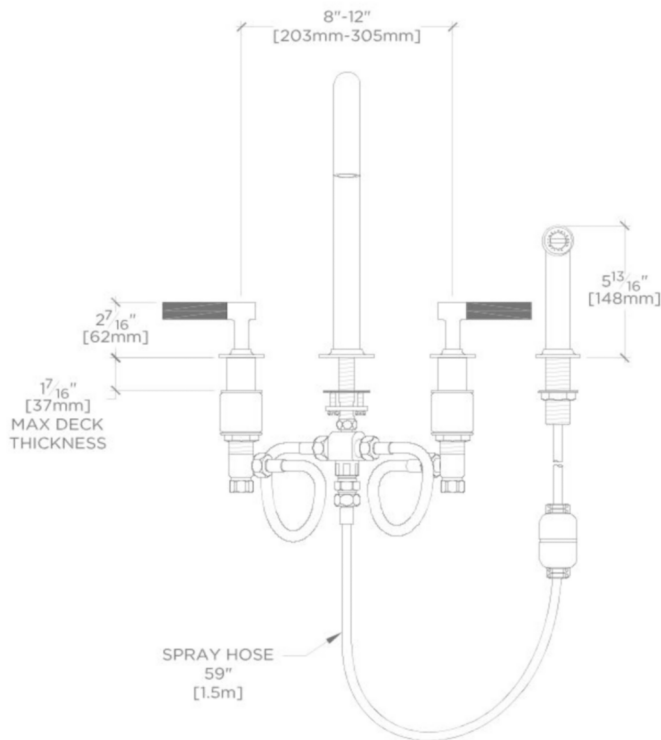
BKM22B

Bond Tandem Series Gooseneck Kitchen Faucet and Spray with Two-Tone Lever Handles



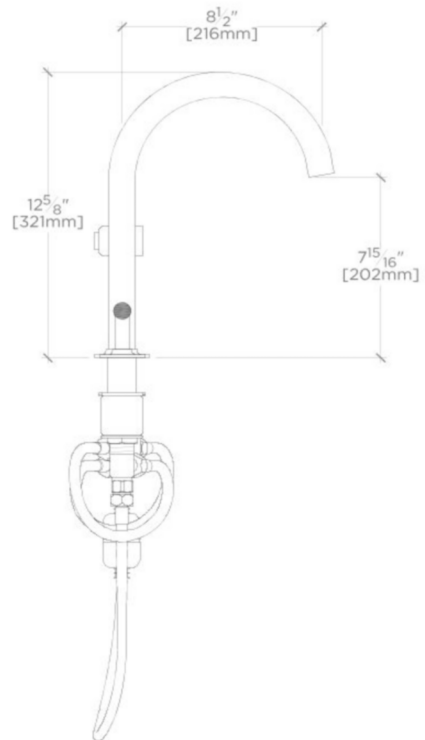
TOP VIEW

SCALE: 1 $\frac{1}{2}"$ =1'-0"



FRONT VIEW

SCALE: 1 $\frac{1}{2}"$ =1'-0"



SIDE VIEW

SCALE: 1 $\frac{1}{2}"$ =1'-0"