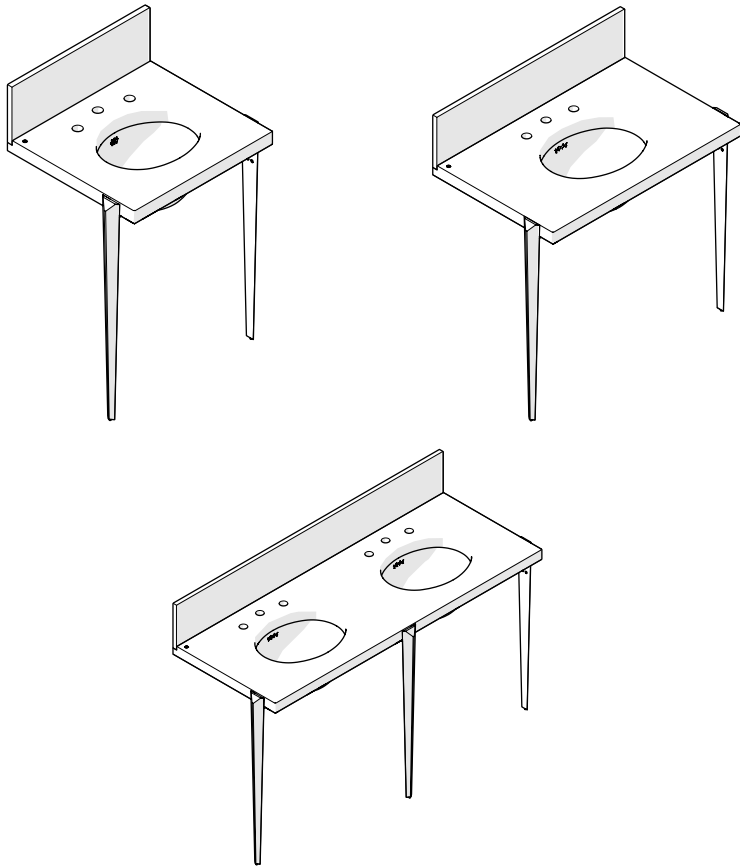


INSTALLATION GUIDELINES

WASHSTAND

GIO TRIANGLE TWO LEGS IN BRONZE WITH SINK AND PLAIN SQUARED SLAB AND BACKSPLASH



STYLES		
GIWS24	GIWS36	GIWS60

WARNING:

- This product is extremely heavy. It is STRONGLY recommended that 2 or more persons install this product.
- If no blocking has been installed STOP this installation until structural blocking is available.
- This installation and hardware is for wood stud installation ONLY.
- Ensure the blocking is able to hold up to 300lbs.
- For metal studs, additional wood blocking must be installed.

WATERWORKS

IMPORTANT:

- To ensure this product is installed properly, you must read and follow these guidelines.
- The owner/user of this product must keep this information for future reference.
- This product must be installed by a professional licensed contractor.
- Be sure your installation conforms to federal, state, and local codes. In the State of Massachusetts, all installations must comply with the rules and regulations set forth within 248 CMR.
- Inspect this product to ensure you have all the parts required for proper installation.
- Product is **sold partially** assembled but shown fully disassembled for illustrative and service purposes only.
- **CAUTION:** Use only a strap wrench or protected/smooth-jaw wrench on ANY finished surface.
- The use of certain plumber putty and silicone may stain stone or tile surfaces.
- **CAUTION:** Take caution when applying the silicone and only use the necessary amount to ensure it won't cause staining.
- Use painter's tape to ensure a clean application.
- If further assistance is required, please contact Product Support at 1-800-927-2120 Monday through Friday, 8am - 6pm EST.

SUGGESTED HARDWARE:

STYLE	DESCRIPTION
UNSS92	Universal Slab Support 1-1/4" x 18" x 1-1/4"
KSS91	Universal Slab Support 1-1/4" x 21" x 1-1/4"
KSS99	Universal Clips and Supports

TECHNICAL DETAILS:

DETAIL	SPECIFICATION		
DRAIN HOLE DEPTH	1-7/16" [49mm]		
DRAIN HOLE DIAMETER	Ø1-3/4" [44mm]		
FITTING HOLE DIAMETER	Ø1-3/8" [35mm]		
OVERFLOW OPENING	YES		
ROUGH-IN WASTE HEIGHT	18" [457mm] RECOMMENDED		
WEIGHT	GIWS24 130lbs [59kg]	GIWS36 188lbs [85kg]	GIWS60 282lbs [128kg]

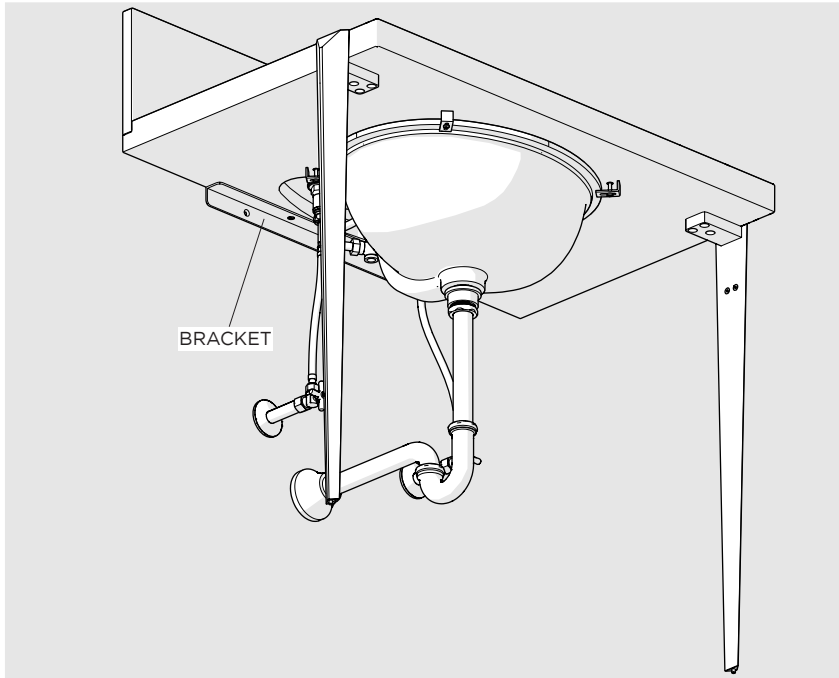
INSTALLATION GUIDELINES

WASHSTAND

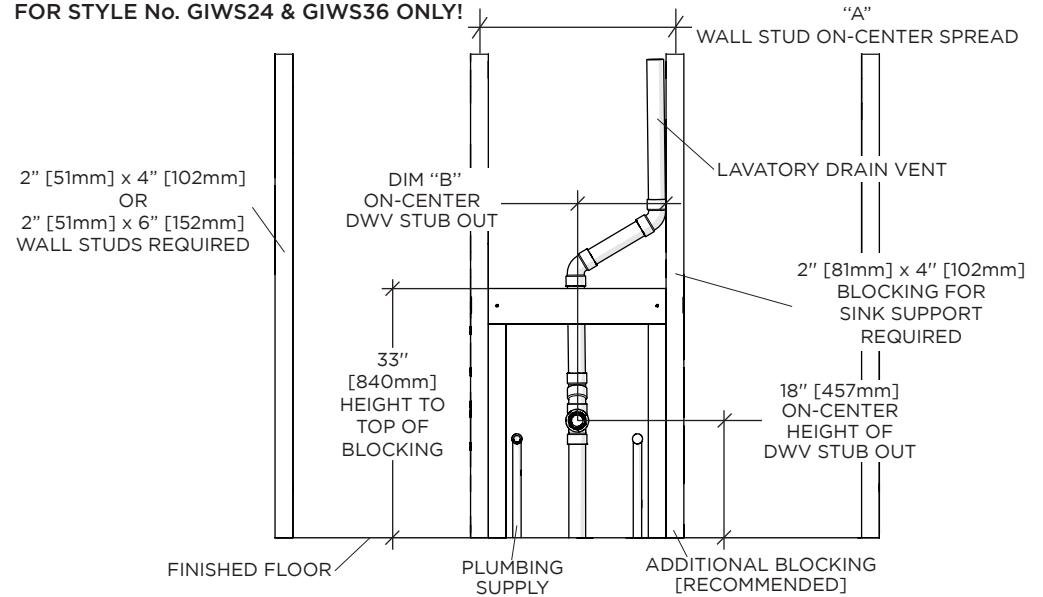
ROUGH IN:

- 2" [50mm] x 4" [107mm] blocking to secure the SINK to the wall is required.
- Jack or Trimmer Studs are required to properly install the SUPPORT and ANGLE BRACKETS and to secure the SINK to the wall.
- Ensure that the lavatory drain vent piping is properly installed according to applicable building codes and does not interfere with the stud or blocking materials.
- SUPPORT BRACKETS must be installed directly onto wall studs and prior to the installation of the finished wall.
- The dimensions shown detail a 33" [840mm] SINK height installation.
- LAVATORY VALVE and associated TRIM **sold separately**.

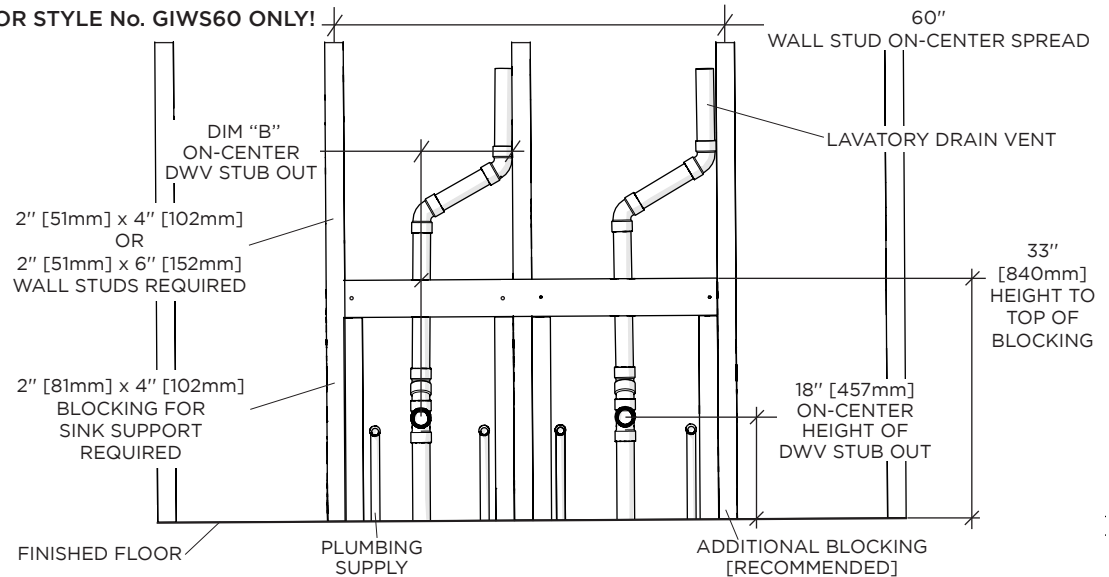
BRACKET LOCATION:



FOR STYLE No. GIWS24 & GIWS36 ONLY!



FOR STYLE No. GIWS60 ONLY!

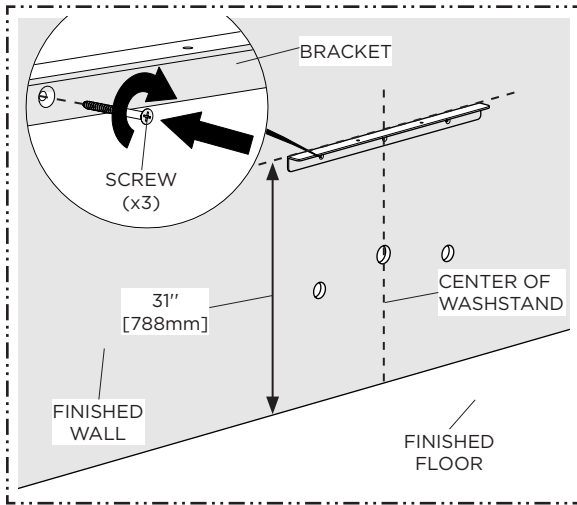


STYLE	DIM "A"	DIM "B"
GIWS24	24" [610mm]	12" [305mm]
GIWS36	36" [914mm]	18" [457mm]

NOTE: This blocking scheme installs the sink top 33" [840mm] from the floor.

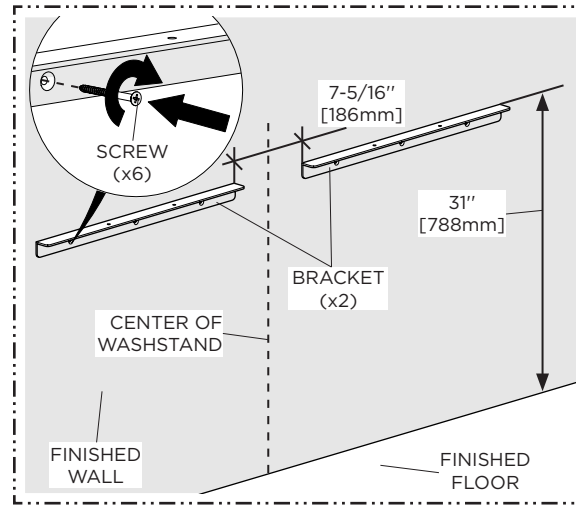
INSTALLATION GUIDELINES

WASHSTAND



FOR STYLE No. GIWS24 & GIWS36 ONLY:

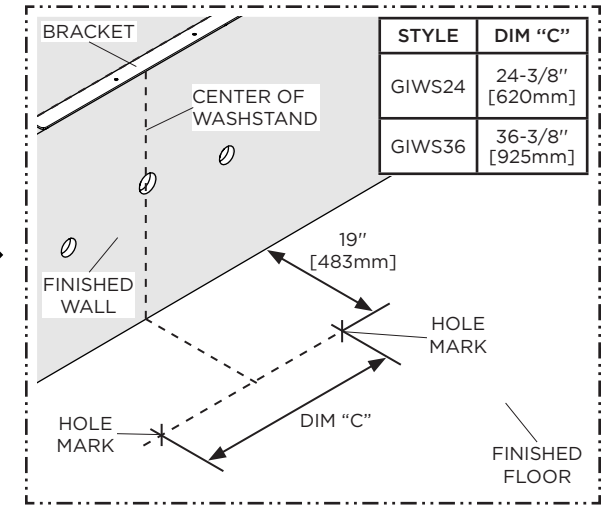
1. Secure the SUPPORT BRACKET to the FINISHED WALL with three FLAT HEAD SCREWS, ensuring alignment and secure installation, and confirm the bracket is level with a SPIRIT LEVEL.



FOR STYLE No. GIWS60 ONLY:

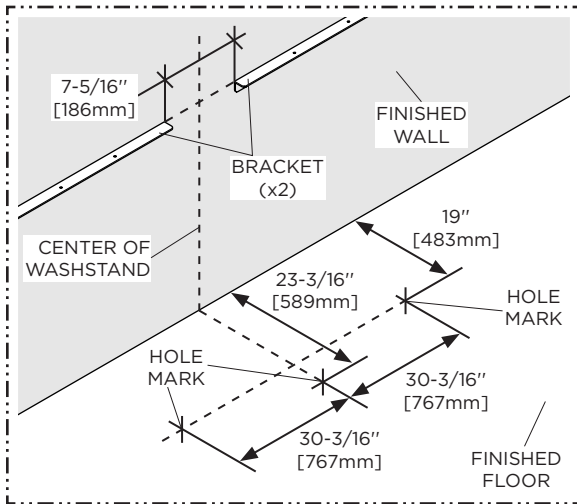
2. Secure the SUPPORT BRACKET to the FINISHED WALL with six FLAT HEAD SCREWS, ensuring alignment and secure installation, and confirm the bracket is level with a SPIRIT LEVEL.

NOTE: CENTER OF WASHSTAND is between the BRACKETS.



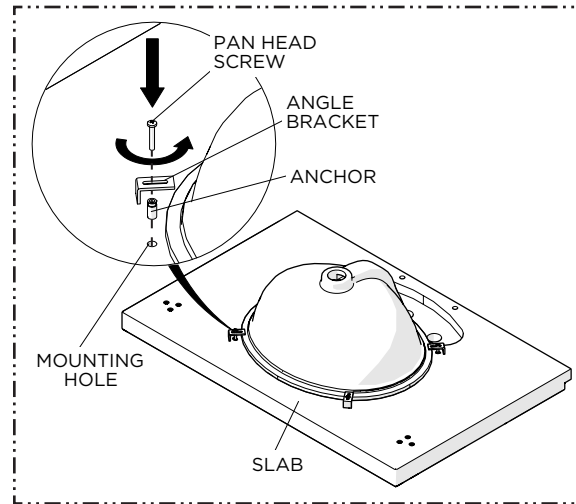
FOR STYLE No. GIWS24 & GIWS36 ONLY:

3. Using a 1/4" [7mm] drill bit (**not supplied**), drill 3/8" [10mm] deep two holes into the FLOOR at the marked LEG center positions for the Position PINS.

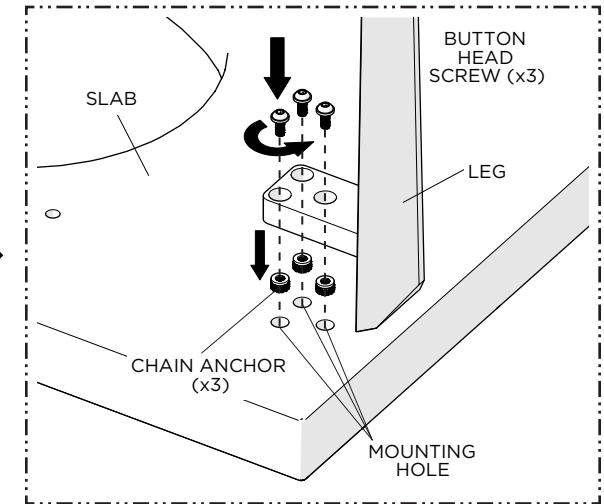


FOR STYLE No. GIWS60 ONLY:

4. Using a 1/4" [7mm] drill bit (**not supplied**), drill 3/8" [10mm] deep three holes into the FLOOR at the marked LEG center positions for the Position PINS.



5. Invert the SLAB and SINK, align the MOUNTING HOLES, and secure the SINK with the ANGLE BRACKET, ANCHOR, and PAN HEAD SCREW through the SLAB MOUNTING HOLE, ensuring proper support and a secure fit.

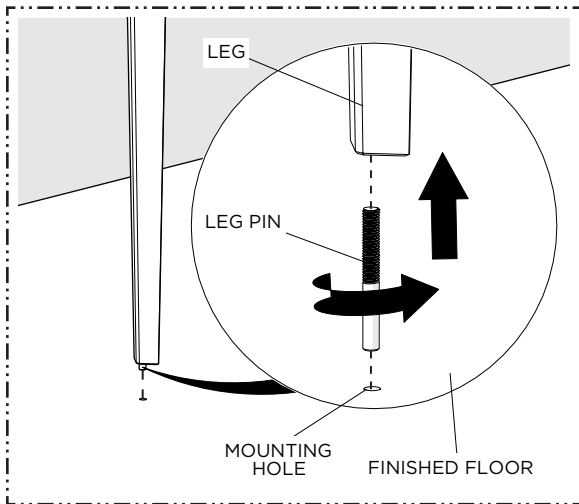


6. Position the LEG on the SLAB and align the MOUNTING HOLES, then secure the LEG to the SLAB using CHAIN ANCHORS and BUTTON HEAD SCREWS, ensuring proper alignment and a secure installation.

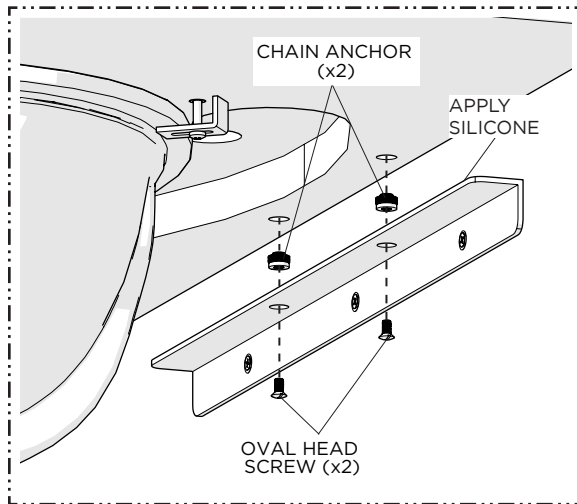
INSTALLATION GUIDELINES

WASHSTAND

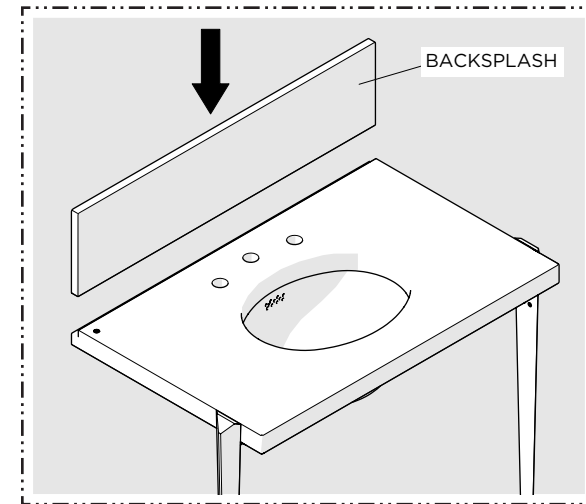
WATERWORKS



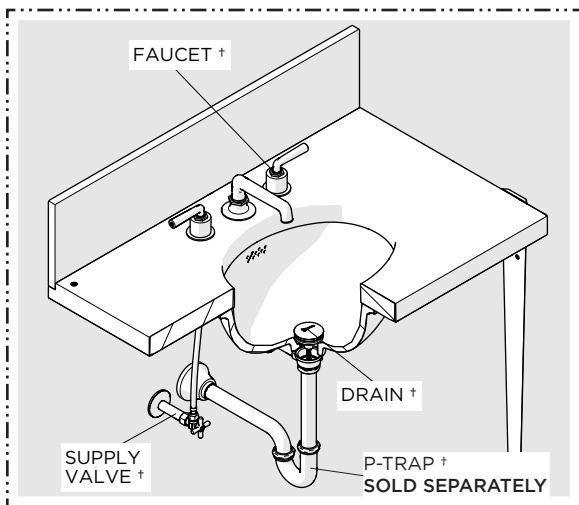
7. Thread the LEG PIN onto each LEGS.



8. Clean all contact surfaces thoroughly, apply adhesive silicone onto the BRACKET, reposition the SLAB, and secure it to the BRACKET using CHAIN ANCHORS and M5 SCREWS ensuring proper alignment and a secure installation.

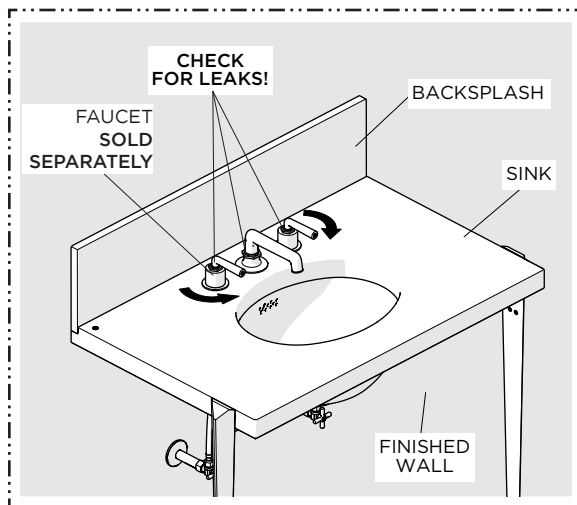


9. Install the BACKSPLASH provided using an adhesive silicone.



10. Install the FAUCET, DRAIN and P-TRAP [sold separately].

NOTE: The use of certain plumber's putty may stain stone or tile surfaces.



11. Turn on the water and operate the drain and FAUCET [sold separately] to ensure proper operation. Check all connections for leaks. If desired, a bead of caulk or clear silicone may be applied where the SINK contacts the FINISHED WALL.