

Bond

BLS33S

Bond Rally Wall Mounted Lavatory Faucet with Knob Handle



SHOWN IN BOND RALLY WALL MOUNTED LAVATORY FAUCET WITH KNOB HANDLE | BLS33S

TECHNICAL DETAILS

ADA Compliance: Yes
 Drain Depth Maximum: 67 mm
 Drain Depth Minimum: 10 mm
 Drain Hole Diameter: 44 mm
 Drain Style: Push Touch
 Fittings Hole Diameter: 35 mm
 Flow Restriction Options: 1.2
 Inlet Connection Size: 1/2"
 Inlet Connection Type: Female NPT
 Number Of Holes: Two Hole
 Primary Material: Brass
 Restricted Maximum Flow Rate: 4.5 liters/min
 Spout Swivel: N
 Water Pressure Maximum: 6.0 bar
 Water Pressure Minimum: 1.5 bar
 Water Pressure Recommended: 3.0 bar

INSPIRATION

Bond draws inspiration from the Aesthetic Movement, rare vintage lighters, and modern industrial design. The result is a contemporary collection with a soulful quality that inhabits the full range of modern style, from austere minimalism to warm contemporary.

CODES & STANDARDS

BLS33SX, NSF/ANSI/CAN 61:Q < 1, NSF/ANSI/CAN 372, ASME A112.18.1/CSA B125.1, CEC, State of MA, NOM-012, WRAS

PRODUCT FEATURES

Knob Handle

Includes Universal Push-Touch Drain (UNLD23) which fits 1-1/2" through 1-3/4" drain hole openings

Features a Sport Black Finish, smooth and velvety to the touch

Stocked in Chrome/Sport Black

Available in 1.2gpm (4.5L/min) flow rate; Requires valve, sold separately: GULV29

CERTIFICATIONS

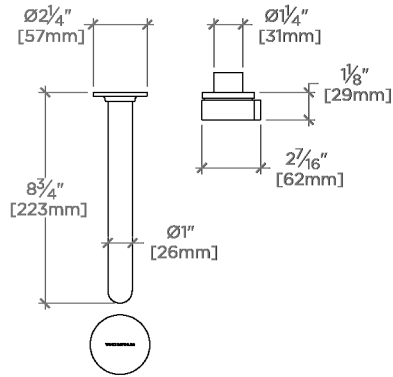


PRODUCT (NOTES)

Bond

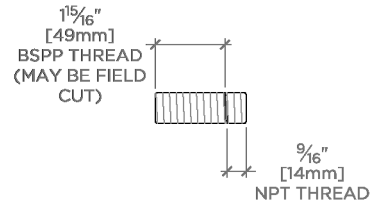
BLS33S

Bond Rally Wall Mounted Lavatory Faucet with Knob Handle

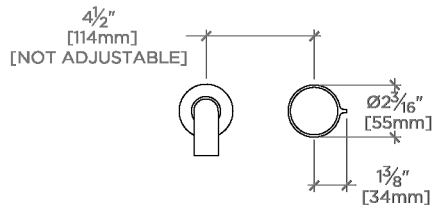


TOP VIEW

SCALE: $1\frac{1}{2}''=1'-0''$

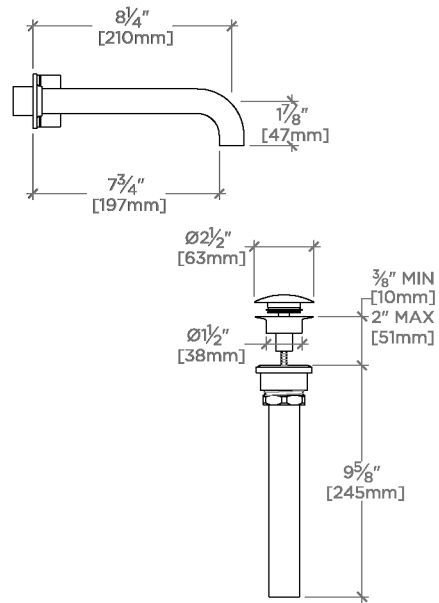


ADAPTER INCLUDED - INTERNATIONAL USE ONLY



FRONT VIEW

SCALE: $1\frac{1}{2}''=1'-0''$



SIDE VIEW

SCALE: $1\frac{1}{2}''=1'-0''$