

## AERO

AELS02

Aero Low Profile Three Hole Deck Mounted Lavatory Faucet with Metal Lever Handles



SHOWN IN AERO LOW PROFILE THREE HOLE DECK MOUNTED LAVATORY FAUCET WITH METAL LEVER HANDLES | AELS02

### TECHNICAL DETAILS

ADA Compliance: Yes  
 Adjustable Levelers Feet: N  
 Adjustable Versus Fixed Spray: Fixed Spray  
 Deck Thickness Maximum: 1 3/16"  
 Deck Thickness Minimum: 0"  
 Depth/Width: 8"  
 Drain Assembly Materials: Brass  
 Drain Depth Maximum: 1 3/4"  
 Drain Depth Minimum: 1 3/8"  
 Drain Hole Diameter: 1 5/8"  
 Drain Style: Pop-up  
 Escutcheon Primary Material: Brass  
 Fittings Hole Diameter: 1 3/8"  
 Handle Spread Maximum: 12"  
 Handle Spread Minimum: 8"  
 Handle Turn Angle: Quarter Turn  
 Height: 3"  
 Inlet Connection Size: 1/2"  
 Inlet Connection Type: Male with Supply Nut  
 Inlet Supply Spread Maximum: 12"  
 Inlet Supply Spread Minimum: 8"  
 Installation Type: Deck Mounted  
 Length: 12"  
 Number Of Handles: Two  
 Number Of Holes: Three Hole  
 Pivot: N  
 Primary Material: Brass  
 Restricted Maximum Flow Rate: 1.2 gpm  
 Sink Visibility: N  
 Sound Proofing: N  
 Spout Swivel: N  
 Spray Included In Unit: N  
 Suggested Application: Bath  
 Valve Material: Ceramic  
 Water Pressure Maximum: 85.0 psi  
 Water Pressure Minimum: 20.0 psi  
 Water Pressure Recommended: 45.0 psi

### INSPIRATION

Inspired by the stepped detail of 19th century telescopes, Aero is a combination of historical reference with a contemporary temperament. The result is original and modern, bringing a look of updated elegance.

### CODES & STANDARDS

AELS02X, NSF/ANSI/CAN 61:Q < 1, NSF/ANSI/CAN 372,  
 ASME A112.18.1/CSA B125.1, CEC, State of MA

### PRODUCT FEATURES

Metal lever handles

Includes European size pop-up drain

Features signature stepped and gadrooned details on escutcheons and edge of spout

Stocked in Chrome and Nickel

Available in 1.2gpm (4.5L/min) flow rate

### CERTIFICATIONS



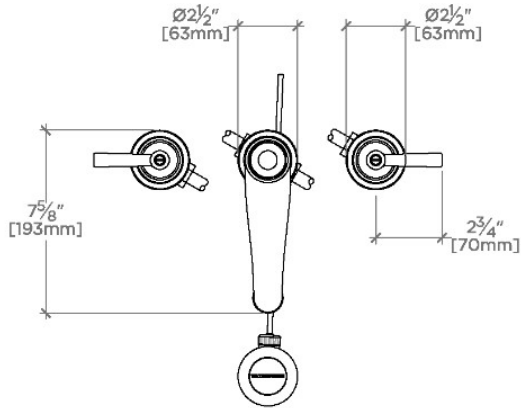
### PRODUCT (NOTES)

Sold with European style drain; USA style drain sold separately for use with non-Waterworks sinks.

## AERO

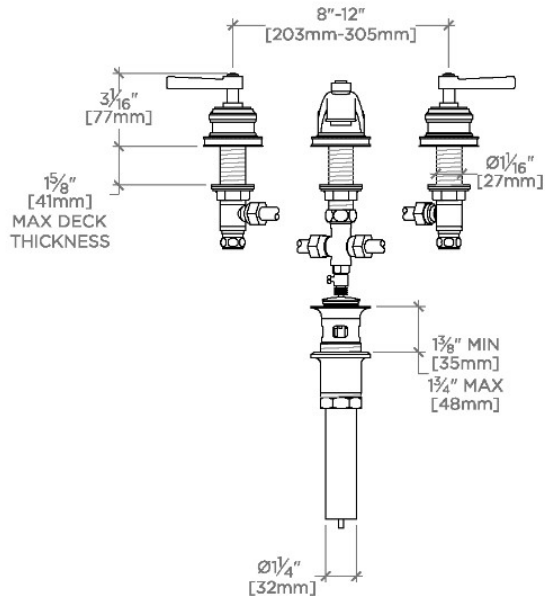
## AELS02

Aero Low Profile Three Hole Deck Mounted Lavatory Faucet with Metal Lever Handles



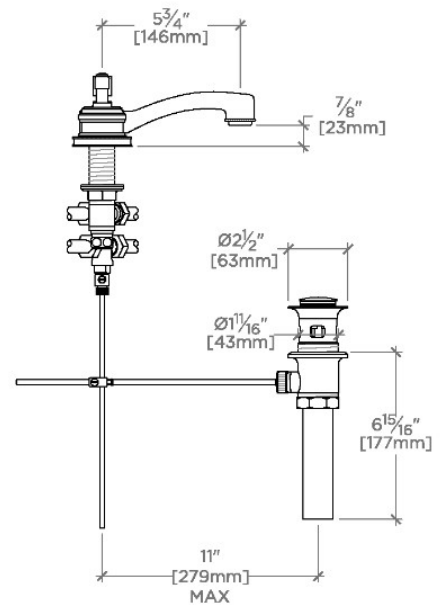
TOP VIEW

SCALE: 1/2"=1'-0"



FRONT VIEW

SCALE: 1/2"=1'-0"



SIDE VIEW

SCALE: 1/2"=1'-0"