

Foro

FRS128

Foro 12" Rain Showerhead with 18" Wall Mounted 90 Degree Shower Arm



SHOWN IN FORO 12" RAIN SHOWERHEAD WITH 18" WALL MOUNTED 90 DEGREE SHOWER ARM | FRS128

TECHNICAL DETAILS

Adjustable Versus Fixed Spray: Fixed
 Fittings Hole Diameter: 32 mm
 Flow Restriction Options: 1.5, 1.75, 2.0
 Inlet Connection Size: 1/2"
 Inlet Connection Type: Male NPT
 Pivot: Y
 Primary Material: Brass
 Restricted Maximum Flow Rate: 6.6 liters/min
 Water Pressure Maximum: 6.0 bar
 Water Pressure Minimum: 1.5 bar
 Water Pressure Recommended: 3.0 bar

INSPIRATION

A mix of historical references, including finely etched vintage silver, come together in this twist on classical design - a wonderfully elegant formal statement.

CODES & STANDARDS

FRS128X, ASME A112.18.1/CSA B125.1, CEC(1.5GPM & 1.75GPM Only), WaterSense(1.5GPM, 1.75GPM & 2.0GPM Only), DOE, State of MA

PRODUCT FEATURES

- Made of Brass
- Features a swivel 12" rain showerhead with easy clean rubber nozzles
- Includes a 18" wall mounted 90 degree shower arm
- Stocked in Brass, Chrome, Nickel and Matte Nickel
- Rain showerhead available in 1.75gpm (6.6L/min) flow rate

CERTIFICATIONS



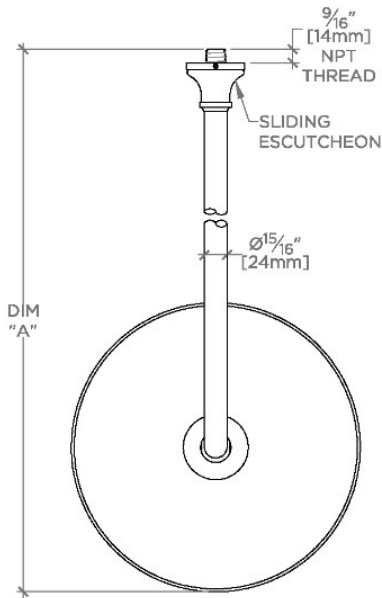
PRODUCT (NOTES)

WATERWORKS

Foro

FRS128

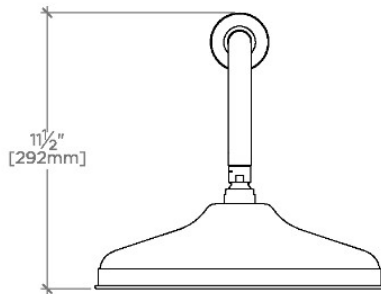
Foro 12" Rain Showerhead with 18" Wall Mounted 90 Degree Shower Arm



TOP VIEW

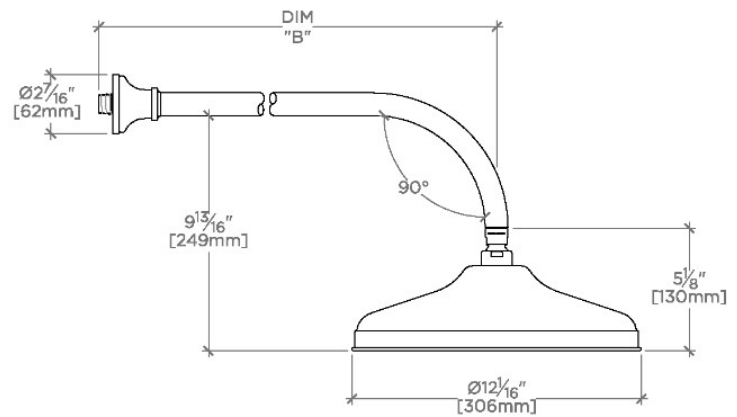
SCALE: 1/2"=1'-0"

STYLE NO.	DIM "A"	DIM "B"
ETS128		
FRS128	24 ⁵ / ₈ " [625mm]	18 ⁹ / ₁₆ " [472mm]
JUS128		
ETS129		
FRS129	28 ⁵ / ₈ " [727mm]	22 ⁹ / ₁₆ " [573mm]
JUS129		



FRONT VIEW

SCALE: 1/2"=1'-0"



SIDE VIEW

SCALE: 1/2"=1'-0"