

RIVERUN

RRHS10

Riverun Handshower on Bar



SHOWN IN RIVERUN HANDSHOWER ON BAR | RRHS10

INSPIRATION

This new American classic was designed with simplicity in mind. Featuring streamlined forms and honest details, it's the epitome of quiet elegance.

PRODUCT FEATURES

2 3/4" head

Features a Fixed Spray Pattern

Stocked in Nickel and Brass

Available in 1.75gpm (6.6L/min) flow rate

TECHNICAL DETAILS

CODES & STANDARDS

ASME A112.18.1/CSA B125.1, Waterworks Handshowers use check valves compliant to ASME A112.18.3 for backflow protection. CEC, DOE, State of MA

CERTIFICATIONS



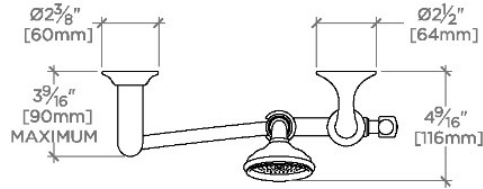
PRODUCT (NOTES)

WATERWORKS

RIVERUN

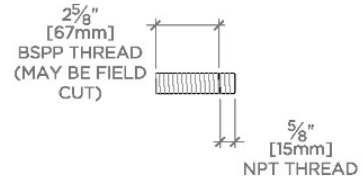
RRHS10

Riverun Handshower on Bar

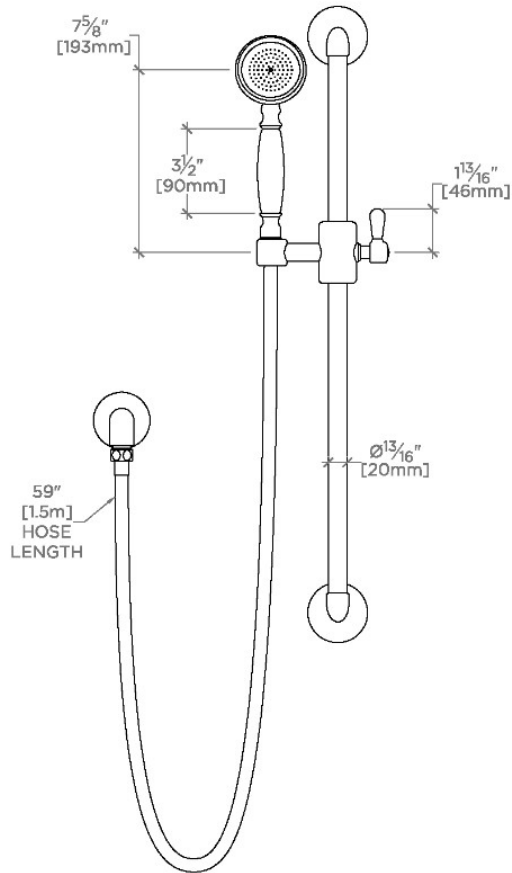


TOP VIEW

SCALE: $1\frac{1}{2}"=1'-0"$

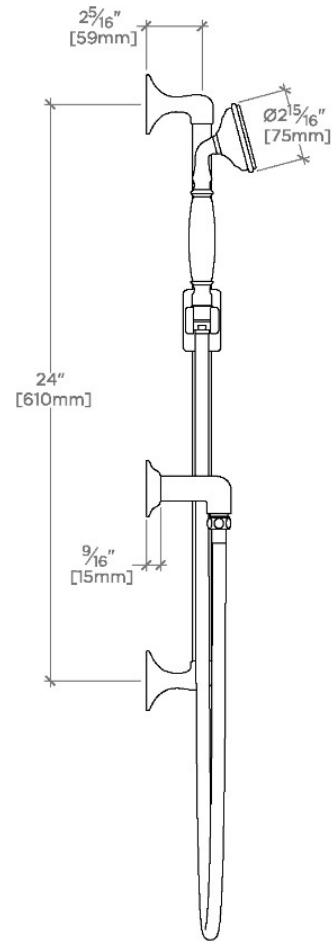


ADAPTER INCLUDED -
INTERNATIONAL USE ONLY



FRONT VIEW

SCALE: $1\frac{1}{2}"=1'-0"$



SIDE VIEW

SCALE: $1\frac{1}{2}"=1'-0"$