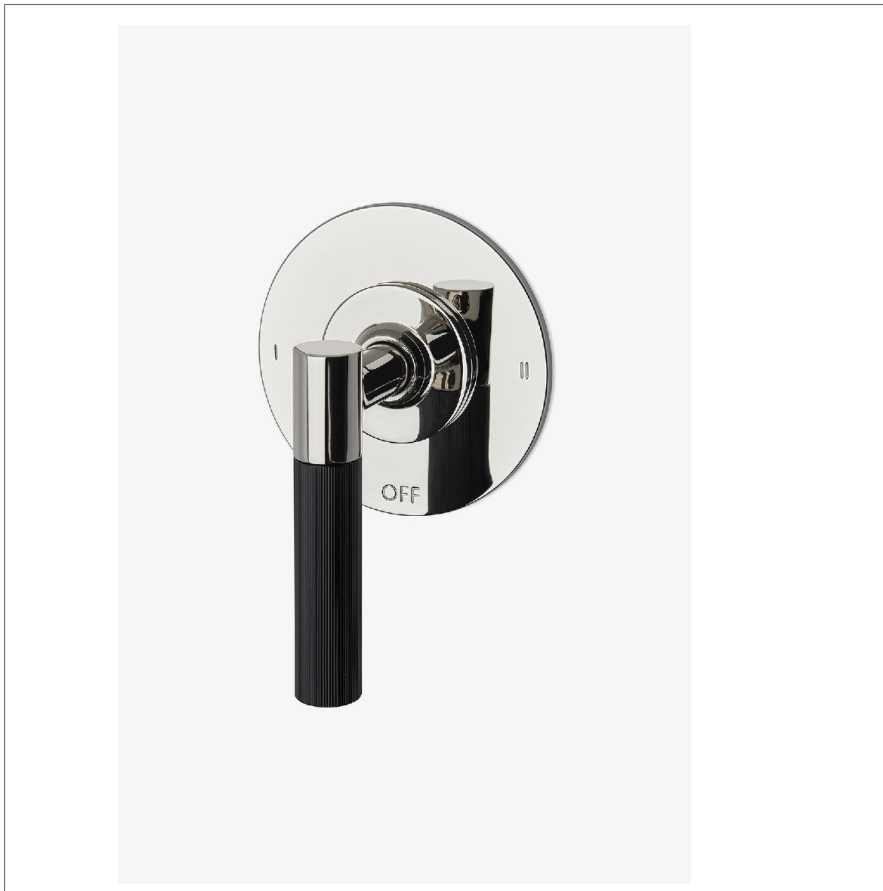


## Bond

B2T12D

Bond Union Series Two Way Thermostatic Diverter Trim with Roman Numerals and Enamel Guilloche Lines Lever Handle



SHOWN IN BOND UNION SERIES TWO WAY THERMOSTATIC DIVERTER TRIM WITH ROMAN NUMERALS AND ENAMEL GUILLOCHE LINES LEVER HANDLE | B2T12D

### TECHNICAL DETAILS

ADA Compliance: Yes  
 Integrated Diverter: N  
 Number Of Holes: One Hole  
 Primary Material: Brass

### INSPIRATION

Bond draws inspiration from the Aesthetic Movement, rare vintage lighters, and modern industrial design. The result is a contemporary collection with a soulful quality that inhabits the full range of modern style, from austere minimalism to warm contemporary.

### CODES & STANDARDS

ASME A112.18.1/CSA B125.1

### PRODUCT FEATURES

Lever Handle

For use with a Thermostatic shower system and two waterway outlets such as a handshower, shower head, and tub spout

Features Guilloche Lines combined with Enamel Lever Handle

Stocked in Nickel and Brass

Requires rough valve, sold separately: GUDV2T.

### CERTIFICATIONS

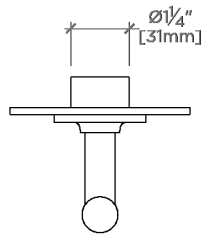


### PRODUCT (NOTES)

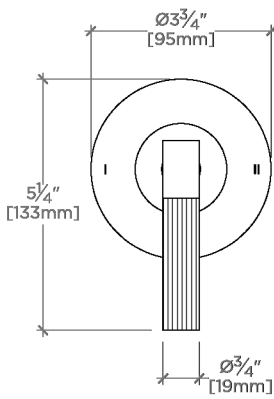
## Bond

B2T12D

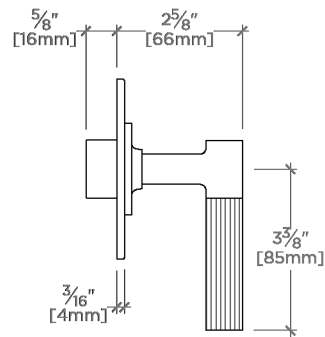
Bond Union Series Two Way Thermostatic Diverter Trim with Roman Numerals and Enamel Guilloche Lines Lever Handle



TOP VIEW SCALE: 3"=1'-0"



FRONT VIEW SCALE: 3"=1'-0"



SIDE VIEW SCALE: 3"=1'-0"