

SAXBY

Saxby 61" x 30" x 19" Drop In Oval Cast Iron Bathtub without Feet

SABT27



SHOWN IN WHITE

TECHNICAL DETAILS

ADA Compliance: No
Adjustable Levelers / Feet: N
Assembly / Configuration: One Piece
Bathing Type: Bathing and Soaking
Bottom Angle / Pitch: 1.0 degree_angle
Depth / Width: 762 mm
Height: 483 mm
Installation Type: Overmount
Item Weight (Filled): 302.545864 kg
Length: 1549 mm
Material / Wall Thickness: 6 mm
Number of Holes: Two Hole
Overflow Opening: Yes
Primary Material: Cast Iron
Single or Double Ended: Single Ended
Suggested Application: Bath

INSPIRATION

Our Saxby collection is traditional but never outdated and evokes elegance in any room.

CODES & STANDARDS

Code # DUBT27: IAPMO

PRODUCT FEATURES

The Saxby is the most recognized form of a classic cast iron footed tub. Manufactured in state of the art facilities using traditional methods. Freestanding use requires SABT12 feet, sold separately. The exterior of primed bathtubs must be finished with a high quality paint for freestanding installation.

CERTIFICATIONS



PRODUCT (NOTES)

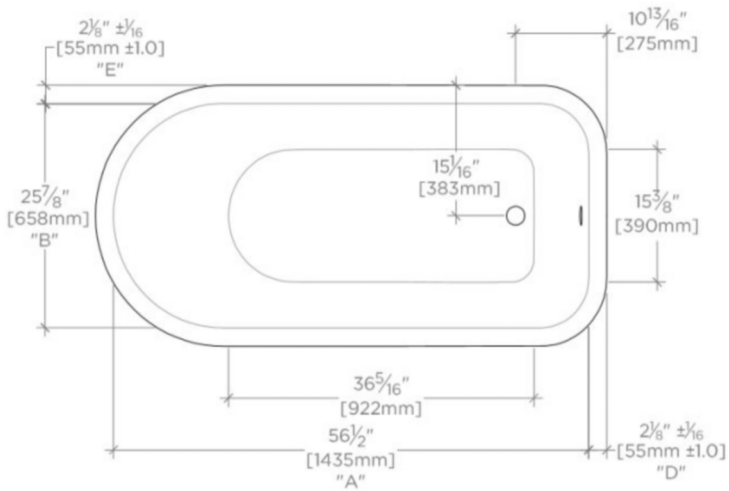
Dimensions of fixtures are nominal. Measure your actual product for rough-in details.

WATERWORKS

SAXBY

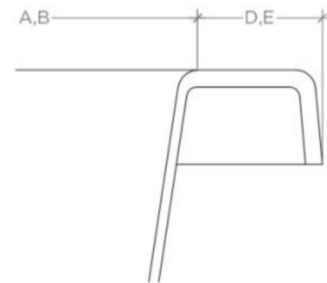
SABT27

Saxby 61" x 30" x 19" Drop In Oval Cast Iron Bathtub without Feet



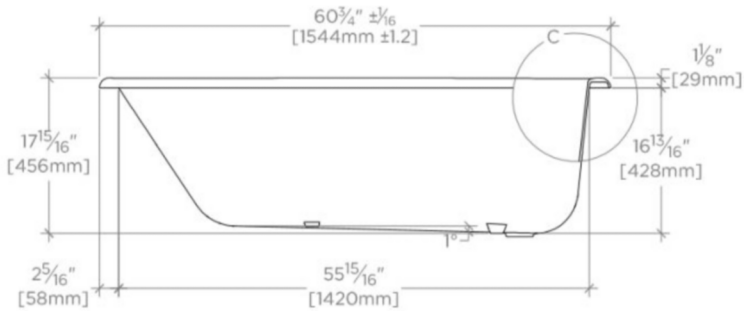
TOP VIEW

SCALE: 1/2"=1'-0"



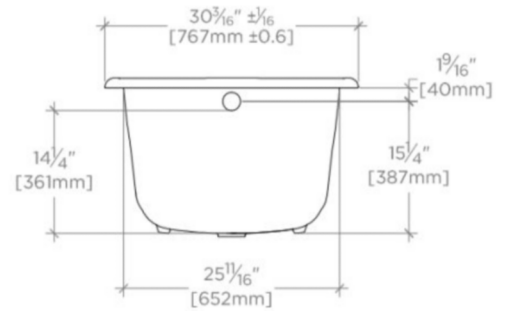
BATHING WELL (A,B) AND RIM (D,E) DIMENSIONS ARE TO THE TOP OF RADIUS AS SHOWN.

DETAIL VIEW C



SIDE VIEW

SCALE: 1/2"=1'-0"



END VIEW

SCALE: 1/2"=1'-0"