

Universal

106803

Universal Pair (L/R) 22" Stainless Steel ADJUSTABLE
Concealed Support Brackets, Wall Support Brackets and
Hardware for Wall Mounted Stone Sink



SHOWN IN UNIVERSAL PAIR (L/R) 22" STAINLESS STEEL ADJUSTABLE CONCEALED SUPPORT BRACKETS, WALL SUPPORT BRACKETS AND HARDWARE FOR WALL MOUNTED STONE SINK | 106803

TECHNICAL DETAILS

Drain Hole Depth: 48 mm
Drain Hole Diameter: 44 mm
Drain Style: Center Drain
Fittings Hole Diameter: 35 mm
Overflow Opening: No

INSPIRATION

Featuring enduring designs that complement any Waterworks element, this collection spans fittings to accessories, bringing exquisite proportion and balance to any environment.

CODES & STANDARDS

PRODUCT FEATURES

Designed by and exclusive to Waterworks

Made in Italy

3/4" height adjustability after install

Mandatory for AUCS01, 13, CACS04, 16, CNCS02, 14, MTC505, 17

Mandatory for AUCP01, 13, CACP04, 16, CNCP02, 14

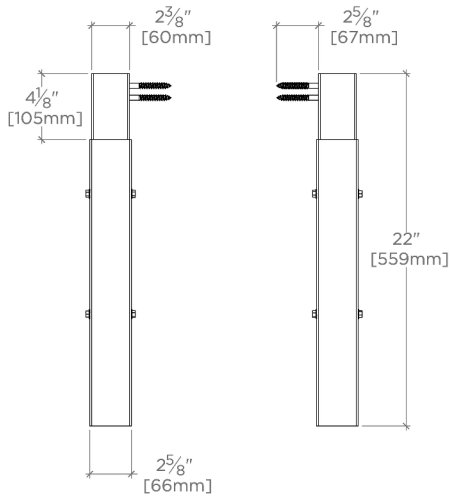
CERTIFICATIONS

PRODUCT (NOTES)

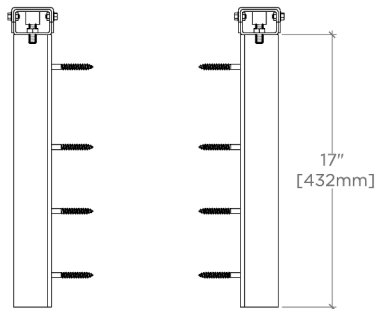
Universal

106803

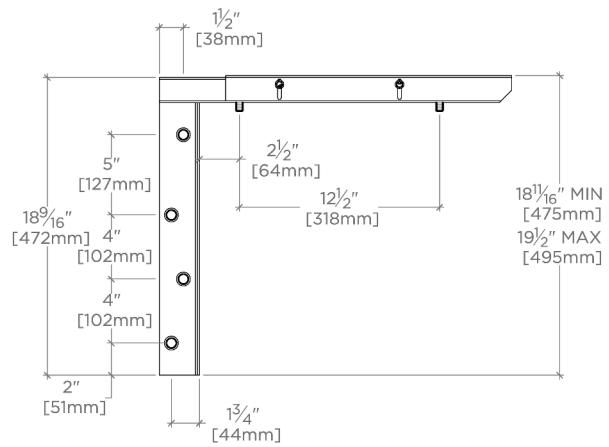
Universal Pair (L/R) 22" Stainless Steel ADJUSTABLE
 Concealed Support Brackets, Wall Support Brackets and
 Hardware for Wall Mounted Stone Sink



TOP VIEW SCALE: 1"=1'-0"



FRONT VIEW SCALE: 1"=1'-0"



SIDE VIEW SCALE: 1"=1'-0"