

AERO

AELS40

Aero Gooseneck Three Hole Deck Mounted Lavatory Faucet with Metal Cross Handles



SHOWN IN AERO GOOSENECK THREE HOLE DECK MOUNTED LAVATORY FAUCET WITH METAL CROSS HANDLES | AELS40

TECHNICAL DETAILS

Deck Thickness Maximum: 1 9/16"
 Deck Thickness Minimum: 1/4"
 Depth/Width: 7 3/4"
 Drain Depth Maximum: 2 5/8"
 Drain Hole Diameter: 1 3/4"
 Drain Style: Push Touch
 Fittings Hole Diameter: 1 3/8"
 Handle Spread Maximum: 12"
 Handle Spread Minimum: 8"
 Handle Turn Angle: Quarter Turn
 Height: 8 7/8"
 Inlet Connection Size: 1/2"
 Inlet Connection Type: Male with Supply Nut
 Restricted Maximum Flow Rate: 1.2 gpm
 Valve Material: Ceramic
 Water Pressure Maximum: 80.0 psi
 Water Pressure Minimum: 25.0 psi
 Water Pressure Recommended: 45.0 psi

INSPIRATION

Inspired by the stepped detail of 19th century telescopes, Aero is a combination of historical reference with a contemporary temperament. The result is original and modern, bringing a look of updated elegance.

CODES & STANDARDS

NSF/ANSI/CAN 61:Q < 1, NSF/ANSI/CAN 372, CEC, State of MA

PRODUCT FEATURES

- Metal cross handles
- Includes European size push touch drain
- Features signature stepped and gadrooned details on escutcheons and edge of spout
- Stocked in Chrome and Nickel
- Available in 1.2gpm (4.5L/min) flow rate

CERTIFICATIONS

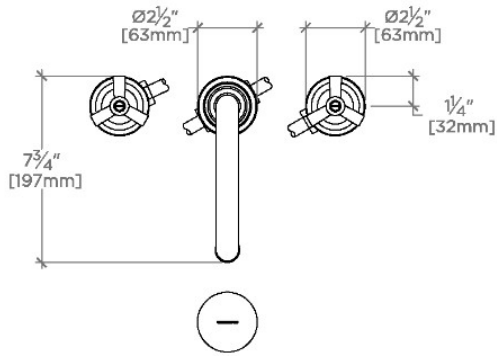
PRODUCT (NOTES)

WATERWORKS

AERO

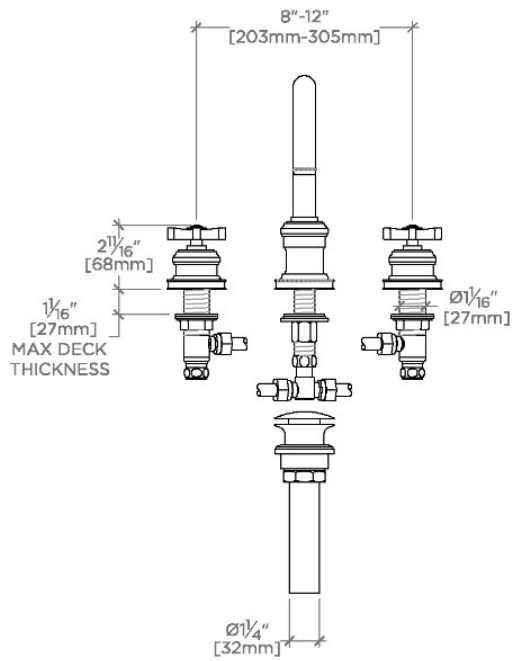
AELS40

Aero Gooseneck Three Hole Deck Mounted Lavatory Faucet with Metal Cross Handles



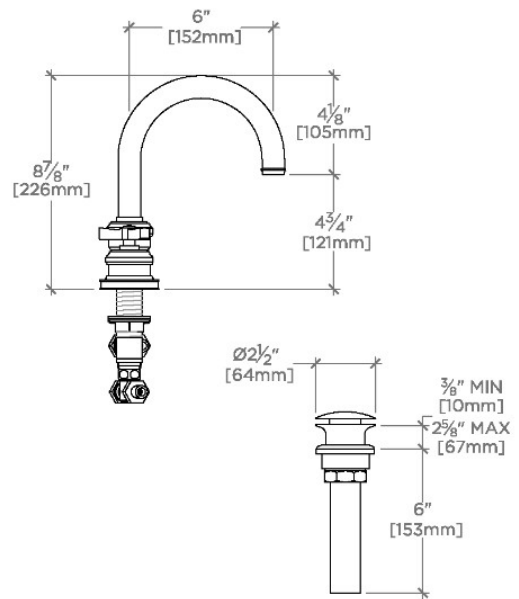
TOP VIEW

SCALE: 1/2"=1'-0"



FRONT VIEW

SCALE: 1/2"=1'-0"



SIDE VIEW

SCALE: 1/2"=1'-0"