

ViaWorks

GU62TH

ViaWorks ViaBox™ 1/2" Integrated Thermostatic Valve with Two Way Diverter



SHOWN IN VIAWORKS VIABOX™ 1/2" INTEGRATED THERMOSTATIC VALVE WITH TWO WAY DIVERTER | GU62TH

TECHNICAL DETAILS

Inlet Connection Size: 1/2"
 Inlet Connection Type: Male BSPP
 Outlet Connection Size: 1/2"
 Outlet Connection Type: Male BSPP
 Primary Material: Brass
 Valve Material: Wax Element/Ceramic
 Water Pressure Maximum: 6.0 bar
 Water Pressure Minimum: 1.5 bar
 Water Pressure Recommended: 3.0 bar

INSPIRATION

The ViaWorks collection encompasses all Waterworks valves, which are just as impeccably engineered as our legendary fittings and the finest the industry has to offer in terms of performance, features and functionality. ViaWorks valves are engineered with more than three generations of bath and kitchen expertise, each with installers and lifelong service in mind.

CODES & STANDARDS

PRODUCT FEATURES

Integrated anti-scald protection.

1/2" NPT Connections, smooth handle operation with haptic "clicks" at each diverter position for tactile feedback

6 gpm (gallons per minute) unrestricted maximum flow at 60 psi

Flows water to up to two shower components simultaneously, set optimal temperature once, valve will automatically maintain it

Made in Germany in a compact all-in-one format that reduces installation time by 15-20%

CERTIFICATIONS

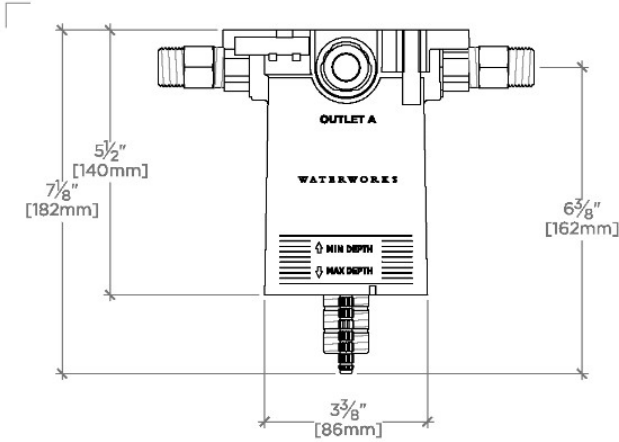
PRODUCT (NOTES)

WATERWORKS

ViaWorks

GU62TH

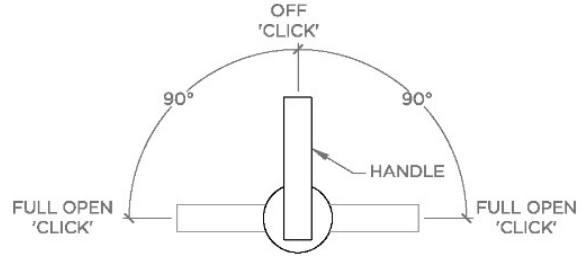
ViaWorks ViaBox™ 1/2" Integrated Thermostatic Valve with Two Way Diverter



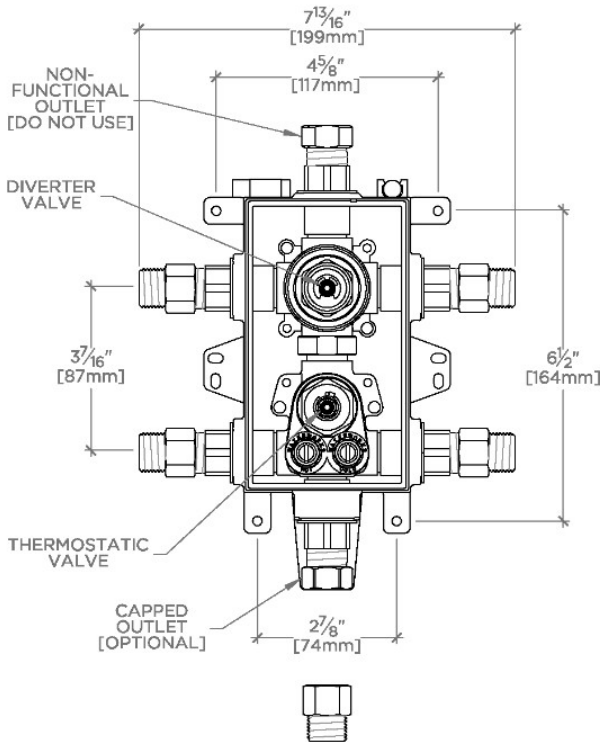
TOP VIEW

SCALE: 3"=1'-0"

ADAPTER(S) PACKAGED SEPARATELY		
ADAPTER	DESCRIPTION	QTY
UNUK03	1/2" NPT Female x 1/2" Male BSPP Adapter	5

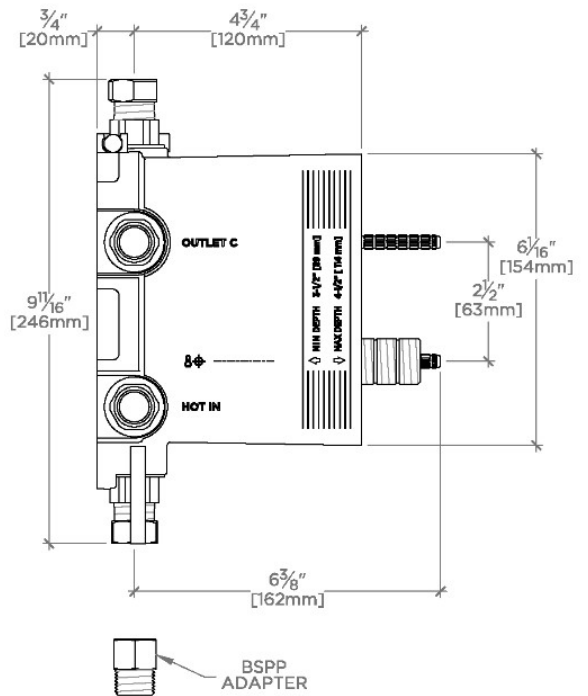


DIVERTER VALVE OPERATION



FRONT VIEW

SCALE: 3"=1'-0"



SIDE VIEW

SCALE: 3"=1'-0"