

## Bond

BLS47B

Bond Tandem One Hole Lavatory Faucet with Two-Tone Lever Handle



SHOWN IN BOND TANDEM ONE HOLE LAVATORY FAUCET WITH TWO-TONE LEVER HANDLE | BLS47B

### TECHNICAL DETAILS

ADA Compliance: Yes  
 Deck Thickness Maximum: 33 mm  
 Deck Thickness Minimum: 6 mm  
 Drain Depth Maximum: 67 mm  
 Drain Depth Minimum: 10 mm  
 Drain Hole Diameter: 44 mm  
 Drain Style: Push Touch  
 Fittings Hole Diameter: 35 mm  
 Flow Restriction Options: 1.2  
 Handle Turn Angle: Quarter Turn  
 Inlet Connection Size: 3/8"  
 Inlet Connection Type: Compression Connection  
 Hoses  
 Number Of Holes: One Hole  
 Primary Material: Brass  
 Restricted Maximum Flow Rate: 4.5 liters/min  
 Spout Swivel: Y  
 Valve Material: Ceramic  
 Water Pressure Maximum: 6.0 bar  
 Water Pressure Minimum: 1.5 bar  
 Water Pressure Recommended: 3.0 bar

### INSPIRATION

Bond draws inspiration from the Aesthetic Movement, rare vintage lighters, and modern industrial design. The result is a contemporary collection with a soulful quality that inhabits the full range of modern style, from austere minimalism to warm contemporary.

### CODES & STANDARDS

BLS47BX, NSF/ANSI/CAN 61:Q < 1, NSF/ANSI/CAN 372, ASME A112.18.1/CSA B125.1, CEC, State of MA, NOM-012, WRAS

### PRODUCT FEATURES

- Lever Handle
- Includes European size push touch drain
- Features Two-Tone Handle
- Stocked in Nickel and Brass
- Available in 1.2gpm (4.5L/min) flow rate

### CERTIFICATIONS

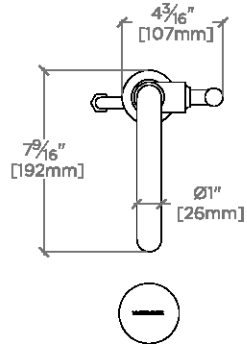


### PRODUCT (NOTES)

## Bond

BLS47B

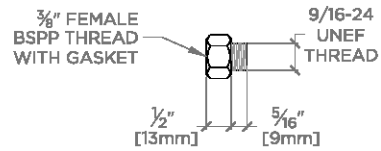
Bond Tandem One Hole Lavatory Faucet with Two-Tone Lever Handle



TOP VIEW

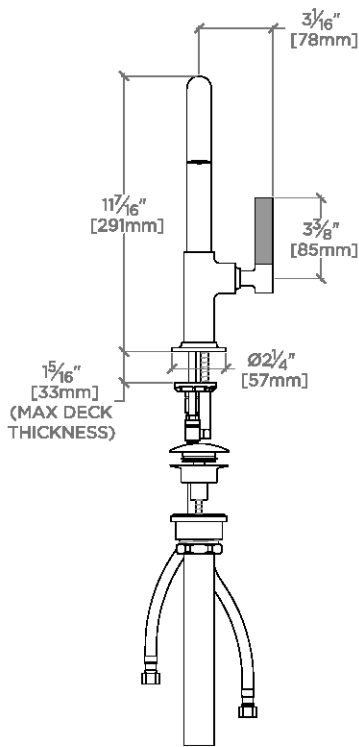
SCALE: 1/2"=1'-0"

† 2 ADAPTERS SUPPLIED  
INTERNATIONAL USE ONLY



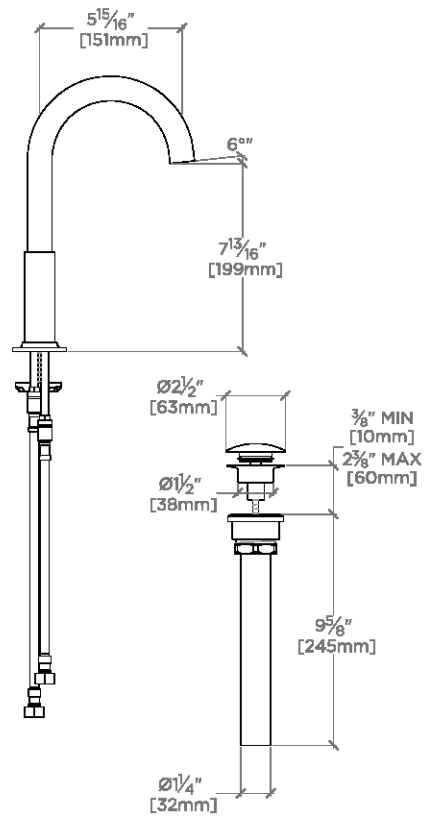
BSPP ADAPTER †

NOT TO SCALE



FRONT VIEW

SCALE: 1/2"=1'-0"



SIDE VIEW

SCALE: 1/2"=1'-0"